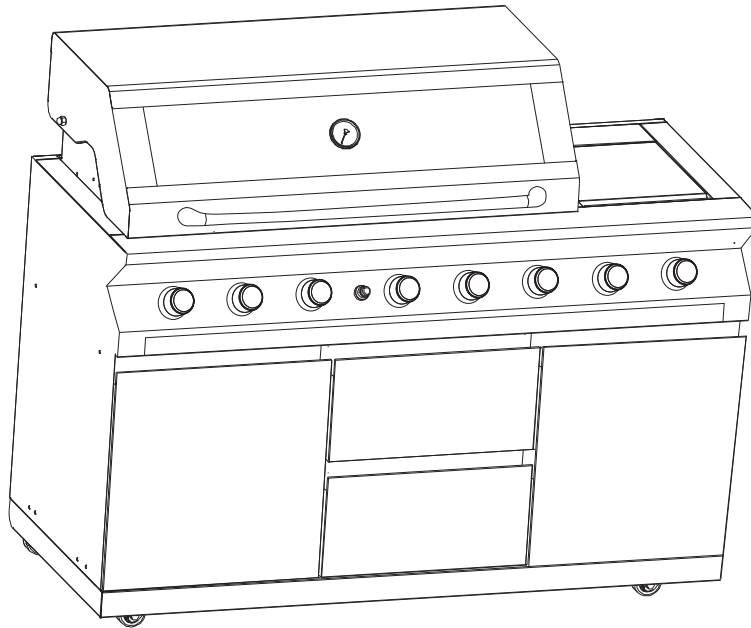


# Gasmate®

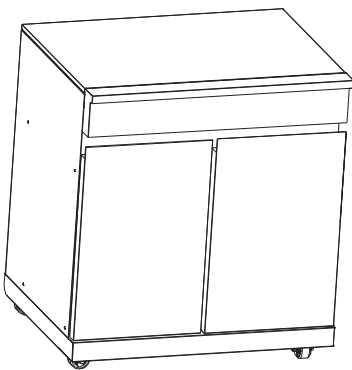
## PROFESSIONAL MODULE SERIES

Model NO. 4 BURNER BQ1010P, BQ1010PSL, BQ1010BP, BQ1010BPSL, BQ1010PNG & BQ1010BPNG

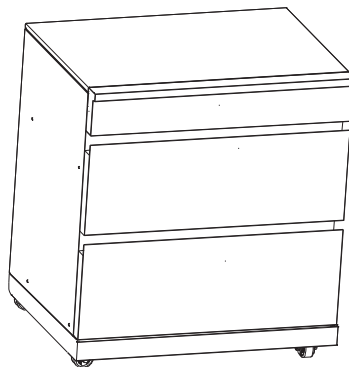
Model NO. 6 BURNER BQ1011P, BQ1011PSL, BQ1011BP, BQ1011BPSL, BQ1011PNG & BQ1011BPNG



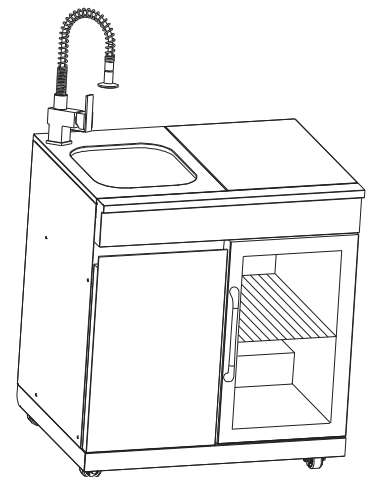
**Professional 6 Burner Premium BBQ**  
Model No. BQ1011P & BQ1011PSL



**Professional Bench Module**  
Model No. BQ1014P



**Professional Drawer Module**  
Model No. BQ1021P



**Professional Sink & Fridge Module**  
Model No. BQ1013GFP

**Important:** Retain these instructions for future use

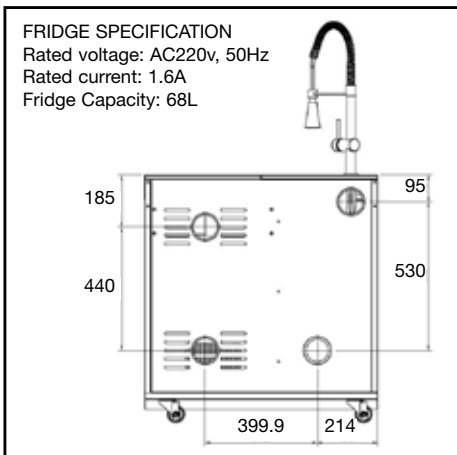
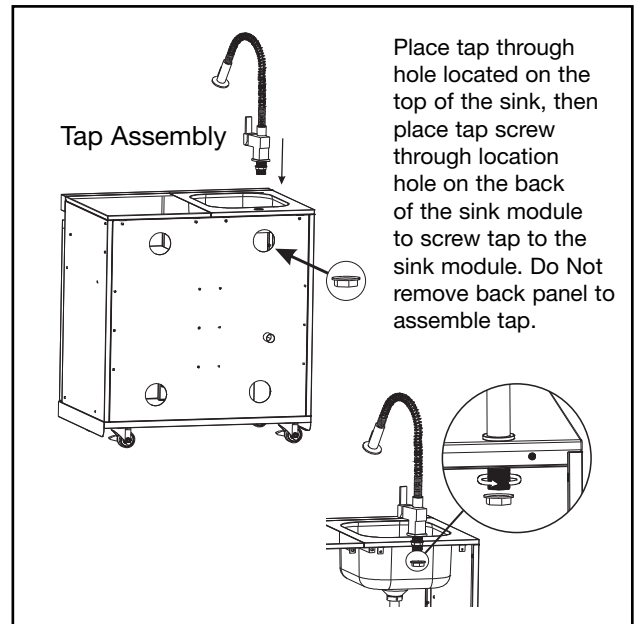
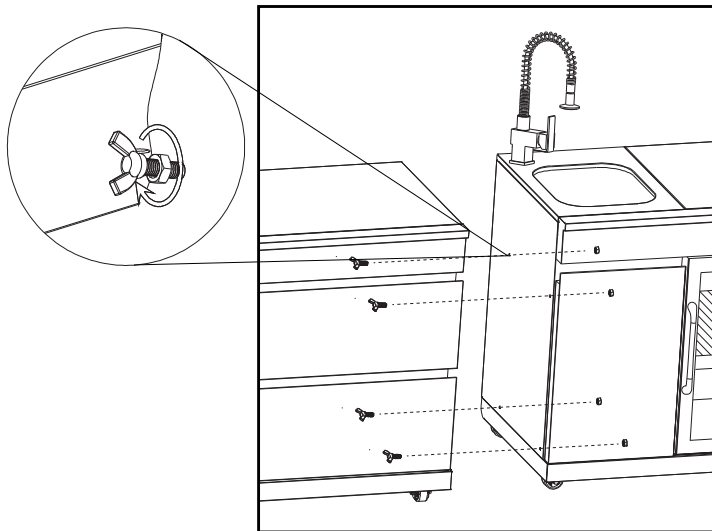
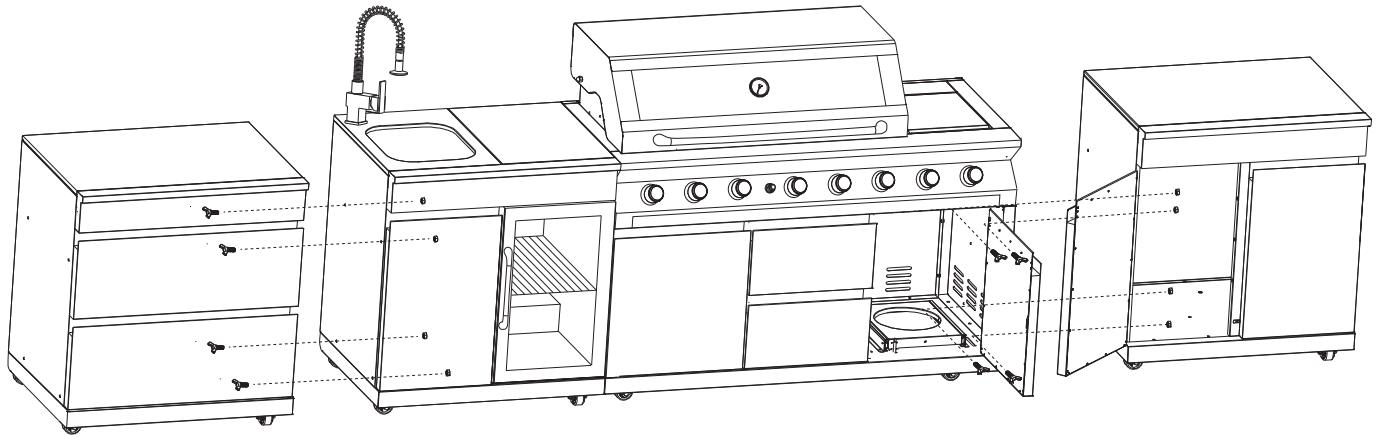
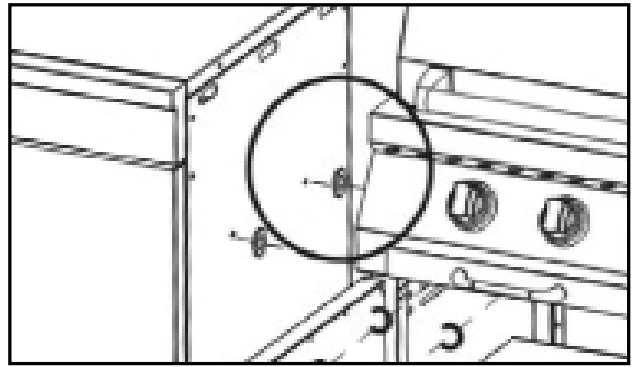


**IMPORTANT:** Remove all packing and transit protection before assembly.

**CAUTION:** Ensure no packing material is left in BBQ before lighting.

**TOOLS REQUIRED** Standard Phillips-head screw driver.

Use 4 screws, 4 washers and 4 nuts. Some cabinets may not need nuts as they may have captive nuts inside the panels to attach screws to.



# Gasmate®

For any queries or assistance call  
 Customer Service (Australia Only)



**1300 174 876**

Hours of operation: Monday to Friday 8am - 5pm AEST

**Do not return to place of purchase.**

Keep your purchase receipt, this will be required to make any claims under the 12 month warranty.

Before any work/modification is done on/to this product please refer to the link to the SDS for your personal protection requirements.

<https://sitro.com.au/support/sds/>