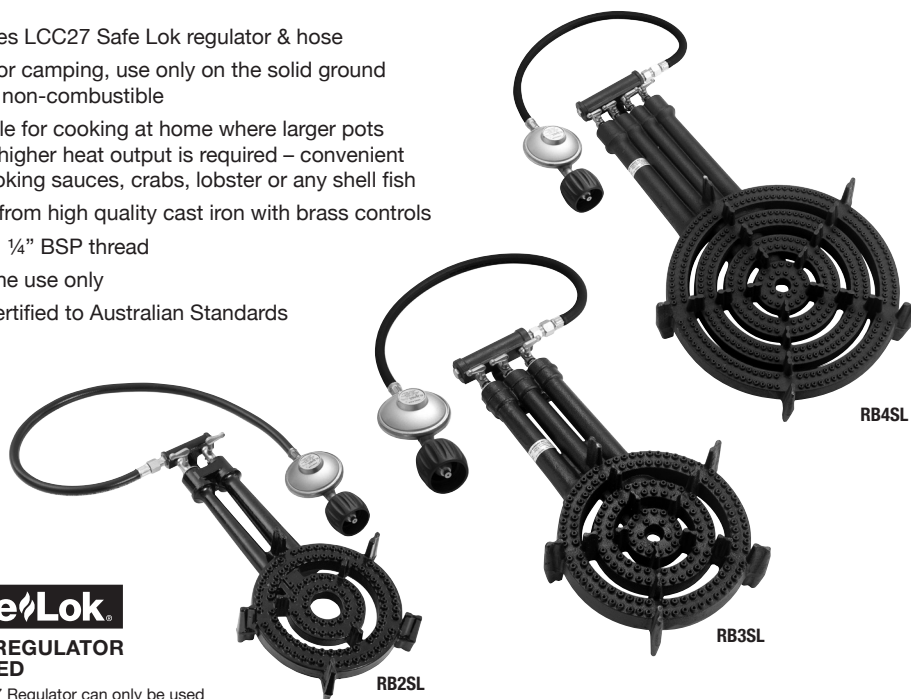


Gasmate®

CAST IRON RING BURNERS

Model No. RB2SL, RB3SL, RB4SL

- Includes LCC27 Safe Lok regulator & hose
- Ideal for camping, use only on the solid ground that is non-combustible
- Suitable for cooking at home where larger pots and a higher heat output is required – convenient for cooking sauces, crabs, lobster or any shell fish
- Made from high quality cast iron with brass controls
- Outlet: ¼" BSP thread
- Propane use only
- Gas certified to Australian Standards



SafeLok®

**LCC27 REGULATOR
SUPPLIED**

This LCC27 Regulator can only be used with the new safer industry standard LCC27 Gas Cylinder Connection.



**NOTE: ONLY USE ON A NON-COMBUSTIBLE SURFACE
USE ONLY ON THE SOLID GROUND**

Important: Retain these instructions for future use.

Gasmate® is a registered trademark of
Sitro Group Australia Pty Ltd www.gasmate.com.au
Aber Living, N.Z. www.gasmate.co.nz

04217 06/22

GENERAL INFORMATION

Gas Installation Codes

- Appliance must be used in accordance with the installation requirements of your gas supply authority, or the appropriate installation code issued by Standards Australia AS 5601.
- Appliances for use with bottled gas are labelled 'propane gas'.
- Only use on a non-combustible surface.
- Only use on the solid ground.
- USE OUTDOORS ONLY

Clearances

Minimum Clearances from combustible materials must be: Cylinder – 500mm. Wall – 500mm. Above – 1200mm. Below – never use on a flammable surface. Only use on a non-combustible surface.

Hose & Regulator Safety

The regulator and hose assembly supplied with the appliance are suitable for propane gas only. The pressure regulator and hose assembly supplied with the appliance must be used. Replacement pressure regulators and hose assemblies must be those specified by the appliance manufacturer.

The supplied LCC27 regulator and hose will only suit the safe LCC27 gas cylinder connection. Only use the hose assembly supplied with this appliance for direct connection to the cylinder

“DO NOT USE ADAPTORS”.

Check the regulator “O” Ring periodically for wear or damage and replace if required.

When connecting the hose and regulator assembly to the gas cylinder, take care to avoid unnecessary twisting or kinking of the flexible hose. Maximum hose length is 1 metre.

After the assembly has been secured, turn on the gas and check for leaks by brushing a soap and water solution overall connections.

DO NOT USE this appliance if it is leaking, damaged or does not operate properly.

If you are unable to correct the leak by tightening the connections, turn off the gas and contact the supplier immediately.

Always ensure the appliance is kept away from flammable materials and the gas cylinder clear of any heat source. When changing over from an empty gas cylinder to a full one make sure this procedure is carried out in a well ventilated location, preferably outside, away from people and away from any sources of ignition; such as naked flames, pilot flames, electric heaters/equipment.

Specifications

Appliance specifications can be found on the data label attached to the appliance body.

Gas Cylinder Use & Safety

This is a low pressure appliance and must only be used with the hose and regulator supplied. This appliance shall only be used with propane gas cylinders certified to AS 2469. It may be hazardous to attempt to fit other types of gas containers.

ONLY USE IN WELL-VENTILATED AREAS CARBON MONOXIDE HAZARD- USING THIS APPLIANCE IN AN ENCLOSED SPACE MAY CAUSE DEATH. DO NOT USE IN CARAVANS, TENTS, MARINE CRAFT, CARS, MOBILE HOMES OR SIMILAR LOCATIONS.

The gas cylinder should be filled by a reputable gas supplier and visually inspected and re-qualified at each filling.

Always keep cylinder in an upright position.

Always close the cylinder valve when the appliance is not in use.

Do not subject gas cylinder to excessive heat.

IMPORTANT

- Outdoor use only.
 - **Read these instructions for use carefully. Familiarise yourself with the appliance before connecting it to its gas container. Keep these instructions for future reference.**
 - Failure to comply with these instructions could result in a fire or explosion which could cause serious bodily injury, death or property damage.
 - **CAUTION:** Accessible parts may be very hot. Keep young children away.
 - DO NOT modify this appliance.
 - DO NOT move this appliance during use.
 - Turn off the gas supply at the gas cylinder after use.
 - Parts sealed by the manufacturer or their agent must not be manipulated by the user.
 - This appliance is only to be used outdoors.
 - Never operate this appliance without a regulator.
 - Do not test for gas leaks with an open flame.
 - If this information is not followed exactly a fire causing death or serious injury may occur.
 - Do not store a spare gas cylinder under or near this appliance. Never fill the cylinder beyond 80% full. This appliance is only to be used and stored outdoors.
 - If there is a leak on your appliance (smell of gas), immediately attempt to turn off the cylinder valve. Remove the appliance to a well ventilated location away from any ignition source. Only check for leaks outdoors using soapy water. DO NOT try to detect leaks using a flame.
 - Never connect an unregulated gas cylinder to your appliance.
- NOTE: ONLY USE ON A NON-COMBUSTIBLE SURFACE
ONLY USE ON THE SOLID GROUND**

Never Store your Gas Cylinder Indoors

If you store your appliance indoors, ALWAYS disconnect the gas cylinder first and store the cylinder safely outside. Cylinders must be stored outdoors in a well ventilated area out of reach of children, and must not be stored in a building, garage or any other enclosed area.

Gas connection is 1/4" BSP

Location of your Appliance

Only use on a non-combustible surface. DO NOT use your appliance in garages, porches, sheds, breezeways, or other enclosed areas. Your appliance is to be used OUTDOORS ONLY. USE ONLY ON THE SOLID GROUND. The appliance is not intended to be installed in or on recreational vehicles, caravans and/or boats and should not be placed on any surface that will burn. Do not obstruct the flow of combustion and ventilation air around the appliance.

Protect Children

Always ensure that no sporting or physical activities are carried out in close proximity to the appliance during use and while still hot.

Keep children away from appliance during use and until appliance has cooled after you have finished. Do not allow children to operate appliance.

Tools You Will Need

Adjustable spanner, Phillips screwdriver.

Check Appliance for any Damage

Inspect appliance parts as you proceed. Contact your supplier for assistance regarding replacement of any damaged or missing parts. Do not assemble or operate a appliance that appears damaged. Appliance for use with gas cylinders are labelled 'propane gas'. Check labelling at the gas connection on your appliance.

Product Details

Model Number	RB2SL		
Gas Type	Propane		
Inj. Size (mm)	Ø 0.63	Ø 1.05	
Gas Cons. (MJ/h)	5.5	13	
Gas Pressure	2.75kPa		
Overall Size	425 x 200 x 70mm		
Weight	3.4kg		

Model Number	RB3SL		
Gas Type	Propane		
Inj. Size (mm)	Ø 0.50	Ø 0.80	Ø 1.14
Gas Cons. (MJ/h)	3.0	8.5	16.8
Gas Pressure	2.75kPa		
Overall Size	465 x 239 x 90mm		
Weight	5.9kg		

Model Number	RB4SL			
Gas Type	Propane			
Inj. Size (mm)	Ø 0.50	Ø 0.80	Ø 1.14	Ø 1.5
Gas Cons. (MJ/h)	3.0	8.5	15.5	27
Gas Pressure	2.75kPa			
Overall Size	640 x 355 x 112mm			
Weight	13.1kg			

FOR YOUR SAFETY

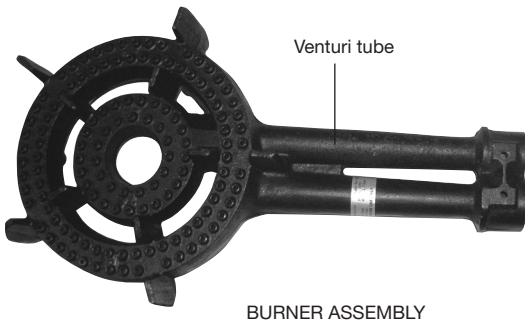
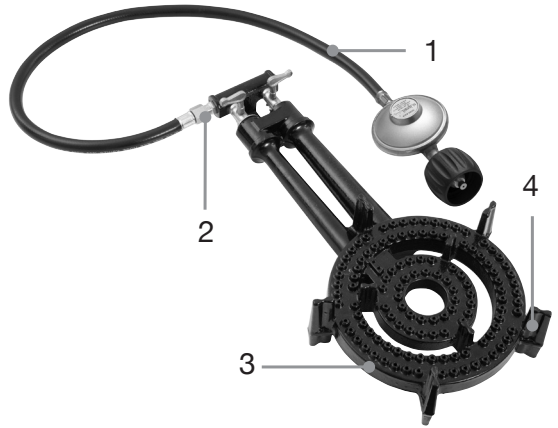
- Do not store or use petrol or other flammable liquids in the vicinity of this or any other appliance.
- Do not store empty or full spare gas cylinders under or near this or any other appliance.
- Keep the gas hose away from hot surfaces and protect from dripping grease. Avoid unnecessary twisting of hose. Visually inspect the hose prior to each use for cracks, excessive wear or other damage. Replace the hose if necessary.
- Never test for gas leaks with a lit match or open flame.
- Never lean over cooking surface when lighting.
- Never alter or modify the regulator or gas supply assembly.
- This appliance must not be used indoors.
- The supplied LCC27 regulator and hose will only suit the safe LCC27 gas cylinder connection.
- Only use in well ventilated areas.
- Carbon monoxide hazard – Using this appliance in an enclosed space may cause death. Do not use in caravans, tents, marine craft, cars, mobile homes or similar locations.
- This appliance shall only be used in an above ground open-air situation with natural ventilation, without stagnant areas, where gas leakage and products of combustion are rapidly dispersed by wind and natural convection.
- Ensure the appliance is set up on a level and stable surface.
- Do not move the appliance while in use or when hot.

**NOTE: ONLY USE ON A NON-COMBUSTIBLE SURFACE
ONLY USE ON SOLID GROUND**

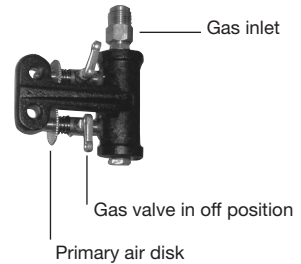
RING BURNER COMPONENTS (Image as guide only)

1. LCC27 regulator and hose assembly
2. Gas valve
 - RB2SL – screws from underside
 - RB3SL – screws from underside
 - RB4SL – screws from underside
3. Burner
 - RB2SL - 2 rings
 - RB3SL - 3 rings
 - RB4SL - 4 rings
4. Trivets – to stand cooking pot on

Note: Remove any transit protection material before using the burner.



GAS VALVE ASSEMBLY



ASSEMBLY

Note: Remove any transit protection material before using the burner.

1. Slide gas valve assembly into the burner assembly and secure with the two screws provided.
2. Attach the supplied hose and regulator to the gas inlet.



GENERAL ASSEMBLY

Connecting & Disconnecting to Gas Source

Familiarise yourself with the general information and safety guidelines located at the front of this manual.

Check

1. Gas cylinder is filled. A sloshing sound will be heard when shaken.
2. The gas valve is in the 'OFF' position.

Connecting

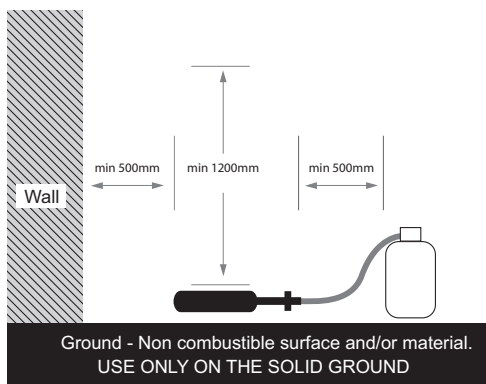
1. Ensure cylinder and gas valve is in its full off position.
2. Check for any damage to either the cylinder connection or the hose. NEVER attempt to use damaged equipment.
3. When connecting the hose to the cylinder tighten the nut to a positive stop by hand or spanner.

NOTE: The supplied LCC27 regulator and hose will only suit the safe LCC27 gas cylinder connection.

4. Open cylinder valve fully. If a leak can be heard at either end of the hose turn cylinder off and tighten joint. Wait 5 minutes before re-testing and use a soapy water solution to check the joint. If bubbles appear the connection will need to be re-tightened.

General Positioning

1. Never place or position the ring burner on combustible material. Only use on a non-combustible surface.
2. Ensure the gas hose is straight and not knotted.



CARE & MAINTENANCE

As with all appliances, proper care and maintenance will keep them in top operating condition and prolong their life. Your new gas appliance is no exception. By following these cleaning procedures on a timely basis, your appliance will be kept clean and working properly with minimum effort.

Spiders and small insects occasionally spin webs or make nests in the burner tubes during warehousing and transit. These webs can lead to a gas flow obstruction which could result in a fire in and around the burner tubes. Cleaning with a soft brush before use and at least every six months is recommended.

This type of fire is known as 'FLASH-BACK' and can cause serious damage to your appliance and create an unsafe operating condition for the user. Although an obstructed burner tube is not the only cause of 'FLASH-BACK' it is the most common cause and frequent inspection and cleaning of the burner tubes is necessary.

Flash-Back

If fire occurs in and around the burner, immediately turn off gas at its source and turn the burner control to 'OFF', wait until the appliance has cooled, then clean the burner tubes and burner ports.

Cleaning

After cooking, turn burner gas cylinder valve and burner valve to 'OFF'. Let the burner cool before attempting to clean and store. After use brush excess dust, dirt and debris from the burner surface. Ensure all the burner ports are clean and open before storing and re-using. Ensure the bottoms of all cooking pots / pans are cleaned of any dirt or discolouration after use.

! IMPORTANT

Before connecting and disconnecting appliance to gas source, make sure burner controls are in 'OFF' position.

CAUTION: When the appliance is not in use, the gas must be turned off at the cylinder.

Check that the seals between the appliance and the gas cylinder are in place and in good condition before connecting the gas cylinder.

Do not use this appliance if it has damaged or worn seals.

- Beware of spiders and wasps. Burner tube should be inspected and cleaned periodically.
- This appliance must only be serviced by an authorised person.

NOTE: ONLY USE ON A NON-COMBUSTIBLE SURFACE ONLY USE ON SOLID GROUND

NOTE: THE SUPPLIED LCC27 REGULATOR AND HOSE WILL ONLY SUIT THE SAFE LCC27 GAS CYLINDER CONNECTION.

LIGHTING PROCEDURE

Burner Operation & Ignition System Check

1. Turn inner gas valve on.
2. Open gas valve and light immediately with long BBQ match following sequence in Step 3.
3. Light the burners in order:

Without pot:

RB2SL	RB3SL	RB4SL
Inner # 1	Inner # 1	Inner # 1
Outer # 4	1st Middle # 2	1st Middle # 2
	Outer # 4	2nd Middle # 3
		Outer # 4

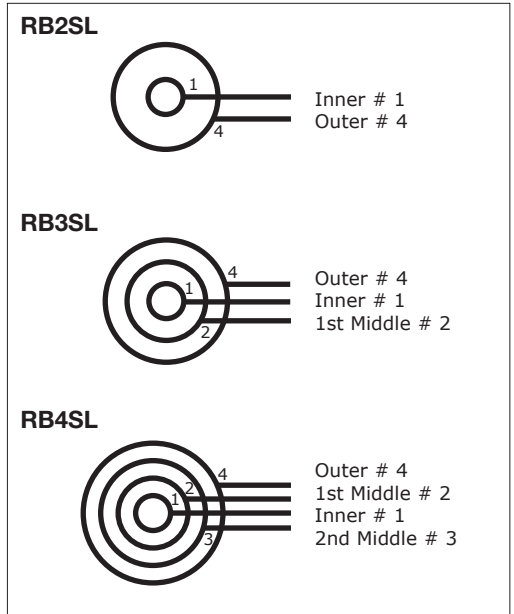
All of these will need to be lit using a long BBQ match.

With pot:

RB2SL	RB3SL	RB4SL
Outer # 4	Outer # 4	Outer # 4
Inner # 1	1st Middle # 2	2nd Middle # 3
	Inner # 1	1st Middle # 2
		Inner # 1

The outer ring #4 will need to be lit using a long BBQ match, all other rings will cross light if lit in the above sequence.

4. Once lit adjust the primary air disk to provide a clean blue flame.
5. Place cooking pot onto ring burner.



Gas valve and burner ring matching.

Problem	Possible Reason	Solution
Burner will not ignite	Valve on gas bottle closed	Open valve on gas bottle
	Control knob is closed	Turn knob onto high when lighting
Food is not cooking or is taking too long	Burner has gone out	Check that the gas bottle is not empty and re-ignite burner
Regulator and hose will not fit my cylinder	Your gas cylinder is a POL style gas cylinder connection	Swap your gas cylinder for a gas cylinder the safer LCC27 Safe Lok gas cylinder connection

AFTER USE

Turn the gas cylinder valve off and wait for the flame to go out. Then turn the appliance gas valve off.

AERATION

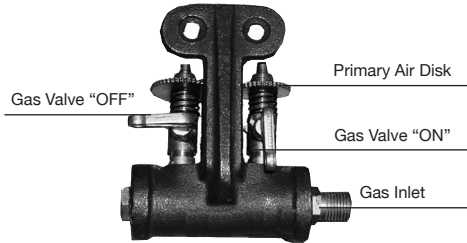
To ensure the flame is clean and blue, that is NO yellow tip to flame or sooting, adjust the primary air disk. The primary air disk can be adjusted clockwise/counter clockwise by hand.

The ideal positioning of the aeration disk when measured from the venturi tube is:

- RB2SL - INNER # 1 – 2mm open
- OUTER # 4 – 3mm open
- RB3SL - INNER # 1 – 7mm open
- 1st MIDDLE# 2 – 7mm open
- OUTER # 4 – 3mm open
- RB4SL - ALL BURNER RINGS 3mm open

OPERATING PROCEDURE

The gas valve can be adjusted from "OFF" to "HIGH" and this will affect the cooking time.



Gas Valve "ON" Max.

The gas lever is in a straight line with the gas valve and the venturi tube.

Gas valve "OFF"

The gas lever is at right angles to the gas valve and the venturi tube.

Spillage

Turn off the cylinder gas valve. Wait for the flame to go out. Using heat proof gloves:

- Remove cooking pan.
- Blow liquid from burner ports.
- Tip burner upside down to drain spilled liquid.
- Once dry re-position.
- Follow lighting procedures to re-light burner and continue cooking.

IMPORTANT

- Do not smoke when attempting to ignite appliance.
- Always use protective gloves when handling hot components.
- Do not smoke at any time when attempting to ignite the appliance burners.
- **Caution:** Do not move the appliance while in operation.
- Do not leave the appliance unattended when alight.

NOTE: ONLY USE ON A NON-COMBUSTIBLE SURFACE USE ONLY ON THE SOLID GROUND

**For any queries or assistance call
Customer Service
(Australia Only)**



1300 174 876

Hours of operation:

Monday to Friday 8am - 5pm EST

Do not return to place of purchase.

Keep your purchase receipt, this will be required to make any claims under the 1 year warranty.

SAFE APPLIANCE LOCATIONS

This appliance shall only be used in an above ground open-air situation with natural ventilation, without stagnant areas, where gas leakage and products of combustion are rapidly dispersed by wind and natural convection.

Only use on a Non-combustible surface.

Any enclosure in which the appliance is used shall comply with the following:

An enclosure with walls on all sides, but at least one permanent opening at ground level and no overhead cover.
Within a partial enclosure that includes an overhead cover and no more than two walls.

Within a partial enclosure that includes an overhead cover and more than two walls, the following will apply:

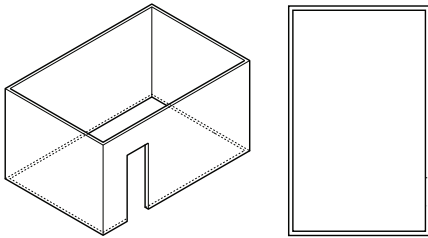
at least 25% of the total wall area is completely open, and
at least 30% of the remaining wall area is open and unrestricted.

In the case of balconies, at least 20% of the total wall area shall be and remain open and unrestricted.

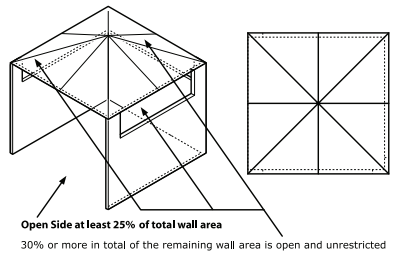
DIAGRAMMATIC REPRESENTATIONS OF OUTDOOR AREAS

The following figures are diagrammatic representations of outdoor areas.

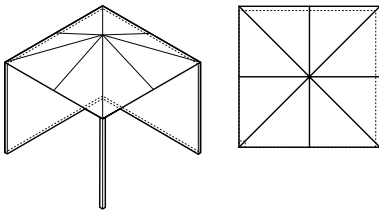
Rectangular areas have been used in these figures – the same principles apply to any other shaped area.



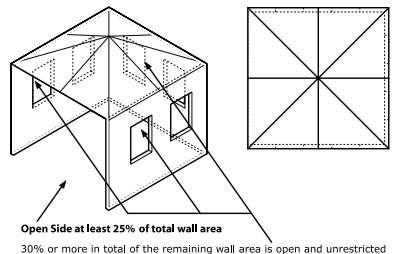
Outdoor Area - Example 1



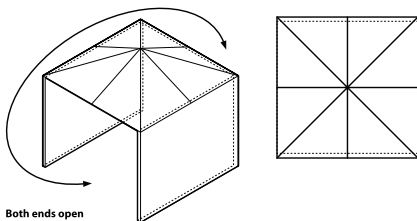
Outdoor Area - Example 4



Outdoor Area - Example 2



Outdoor Area - Example 5



Both ends open

Outdoor Area - Example 3