

Gasmate®

GALAXY BLACK OUTDOOR KITCHEN



THE OUTDOORS MADE EASY.

GALAXY BLACK OUTDOOR KITCHEN



The **Gasmate Galaxy Black** modular outdoor BBQ kitchen boasts a striking black finish, enhancing its stylish and modern design.

With the Galaxy Black modular outdoor BBQ kitchen, you have the power to craft your own spectacular outdoor cooking and entertainment space.

Start with the Galaxy Black Hood 4 or 6 Burner BBQ and then add the Galaxy Black modules that you would like in your outdoor BBQ kitchen. The BBQ and modules can be arranged in any combination. Design it all to suit your area and budget.

The Gasmate Galaxy Black Modules are easy to install and need little assembly. They feature stylish integrated handles and black quartz tops. There are a range of professional rangehoods and bar fridges to complement your design.

Or you can explore our pre-set kits to effortlessly bring your dream outdoor kitchen to life. These curated kits take the guesswork out of designing your own kitchen, making it a seamless experience.

Create your own stunning outdoor cooking and entertaining area using the Galaxy Black BBQ and Modules.

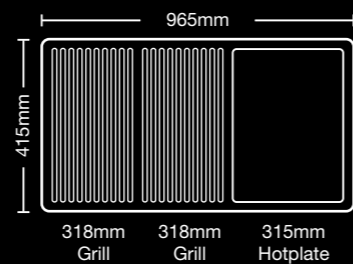
GALAXY BLACK 6 BURNER BBQ

- Supplied fully assembled
- #304 Grade stainless steel hood with lustrous black finish and glass viewing window
- Temperature gauge and cool touch handle
- Convenient internal lights and blue LED's above control knobs
- Electronic ignition for effortless lighting
- Heavy duty enamel coated cast iron plate and grill
- Cast iron burners with individual controls
- Stainless steel flame tamer for controlled heat distribution
- Ceramic rear burner for healthy rotisserie cooking with integrated high output side burner
- Complete with warming rack
- Cabinet features ample storage
- Convenient slide-out cylinder storage
- Locking castors
- Gas certified to Australian Standards
- Approved for natural gas conversion
- Supplied with LCC27 Safe Lok® regulator and hose (propane models only)



GALAXY BLACK 6 BURNER BBQ

Model Number:	BQ1090BLBHSL
Main burner output:	6 x 12MJ/h
Side burner output:	1 x 15MJ/h
Rear burner output:	1 x 13MJ/h
Combined output:	100MJ/h
Cooking surface finish:	Enamel coated cast iron
Hotplate & Grill (mm):	Plate - 315 W x 415 D Grill - 318 W x 415 D x 2
Total cooking area (mm):	965 W x 415 D
Dimensions (mm):	1470 W x 685 D x 1200 H



GALAXY BLACK

6 BURNER BBQ

OUTDOOR KITCHEN KITS

All kits available in LPG & approved for natural gas conversion

KIT 1 GKIT01SL

- Single Bar Fridge Top - BQ1197
- Premium 1 Door Bar Fridge - BFR1088
- 6 Burner BBQ - BQ1090BLBHSL
- Sink, Bin and Storage Module - BQ1091BL

KIT 2 GKIT02SL

- Double Bar Fridge Top - BQ1198
- Premium 2 Door Bar Fridge - BFR2088
- 6 Burner BBQ - BQ1090BLBHSL
- Sink, Bin and Storage Module - BQ1091BL

KIT 3 GKIT03SL

- Double Bar Fridge Top - BQ1198
- Premium 2 Door Bar Fridge - BFR2088
- Storage Module - BQ1092BL
- 6 Burner BBQ - BQ1090BLBHSL
- Sink, Bin and Storage Module - BQ1091BL



KIT 3



KIT 2



KIT 1

GALAXY BLACK 4 BURNER BBQ AND KIT

The **Gasmate Galaxy Black 4 Burner BBQ** has all of the features & quality aesthetics of the larger 6 burner Galaxy Black BBQ. Its compact size enables it to be positioned in locations with space limitations.

The Galaxy Black 4 Burner is available as a stand alone BBQ or as a kit with two storage modules to offer ample storage capacity and quartz bench tops that are useful when cooking.

All of the Galaxy Black modules can be combined with the 4 Burner BBQ or 4 Burner BBQ kit, including the two premium bar fridges.



DURABLE FINISH



ELECTRONIC IGNITION



TEMPERATURE GAUGE



HIGH HEAT RATING



GAS CERTIFIED TO AUSTRALIAN STANDARDS



EASY ASSEMBLY



4 Burner Galaxy BBQ BQ3039



4 Burner Galaxy BBQ Kitchen Kit BQ3039KIT

GALAXY BLACK 4 BURNER BBQ & KIT

Model Number:	BQ3039	BQ3039KIT
Description:	4 Burner Galaxy BBQ	4 Burner Galaxy BBQ Kitchen Kit
Main burner output:	4 x 14MJ/h	4 x 14MJ/h
Rear burner output:	1 x 13MJ/h	1 x 13MJ/h
Combined output:	69MJ/h	69MJ/h
Cooking surface finish:	Enamel coated cast iron	Enamel coated cast iron
Hotplate & Grill (mm):	Plate - 327 W x 427 D, Grill - 327 W x 427 D	Plate - 327 W x 427 D, Grill - 327 W x 427 D
Total cooking area (mm):	665 W x 415 D	665 W x 415 D
Dimensions (mm):	801 W x 685 D x 1216 H	1815 W x 685 D x 1216 H

4 Burner Galaxy BBQ BQ3039 features:

- #304 Grade stainless steel hood with lustrous black finish and glass viewing window
- Temperature gauge and cool touch handle
- Blue LED's above control knobs
- Electronic ignition for effortless lighting
- Cast iron burners with individual controls
- Ceramic rear burner for healthy rotisserie cooking
- Supplied with LCC27 Safe Lok® regulator and hose
- Gas certified to Australian Standards and approved for natural gas conversion
- Fully assembled

4 Burner Galaxy BBQ Kitchen BQ3039KIT features:

- 4 Burner Galaxy BBQ Plus 2 x Galaxy Storage modules
- Two single door storage modules
- Stylish black powder coated finish
- Premium quartz top and #304 grade stainless steel fascia
- Storage modules require assembly





Image shows the **Galaxy Black 4 Burner Outdoor Kitchen Kit (BQ3039KIT)** with additional **Galaxy Black 3 Drawer Module (BQ1093BL)** and **Portofino 16" Gas Pizza Oven (PO3106-16)**

GALAXY BLACK MODULES

GALAXY BLACK SINK, BIN & STORAGE MODULE

BQ1091BL



GALAXY BLACK STORAGE MODULE

BQ1092BL



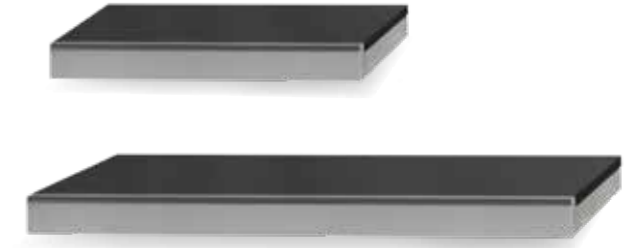
GALAXY BLACK 3 DRAWER MODULE

BQ1093BL



GALAXY BLACK PREMIUM 1 AND 2 DOOR BAR FRIDGE TOPS

BQ1197 & BQ1198



- Stylish black powder coated modules with premium quartz top and #304 grade stainless steel fascia
- Stylish integrated handles
- Locking castors
- Supplied partially assembled - simply attach quartz benchtop



DURABLE
FINISH



RUST
PROTECTION



EASY
ASSEMBLY

GALAXY BLACK SINK, BIN & STORAGE MODULE

Model Number:	BQ1091BL
Sink:	Stainless Steel
Tap:	WELS approved hot and cold tap
Bin:	Included under sink
Dimensions (mm):	830 W x 685 D x 900 H

GALAXY BLACK STORAGE MODULE

Model Number:	BQ1092BL
Doors:	2
Shelves:	3 Convenient shelves
Dimensions (mm):	830 W x 685 D x 900 H

GALAXY BLACK 3 DRAWER MODULE

Model Number:	BQ1093BL
Sink:	Stainless Steel
Tap:	WELS approved hot and cold tap
Bin:	Included under sink
Dimensions (mm):	830 W x 685 D x 900 H

GALAXY BLACK PREMIUM 1 DOOR BAR FRIDGE TOP

Model Number:	BQ1197
Fascia:	Solid stainless steel
Benchtop:	Black granite
Adjustable Feet:	The fridge top is supplied with adjustable feet to bring the fridge height up to match your Galaxy Black Outdoor Kitchen
Suits Gasmate Premium 1 Door Bar Fridge - Model No. BFR1088	

GALAXY BLACK PREMIUM 2 DOOR BAR FRIDGE TOP

Model Number:	BQ1198
Fascia:	Solid stainless steel
Benchtop:	Black granite
Adjustable Feet:	The fridge top is supplied with adjustable feet to bring the fridge height up to match your Galaxy Black Outdoor Kitchen
Suits Gasmate Premium 2 Door Bar Fridge - Model No. BFR2088	

Refer to page 16 for installation and dimensions

GALAXY BLACK BUILT-IN BBQ RANGE

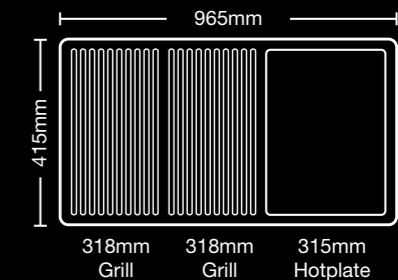
If you aspire to create a tailor-made outdoor kitchen complete with custom cabinets, the **Gasmate Galaxy Built-In BBQs** are the perfect choice for you.

Elevate your outdoor kitchen design to new heights with the inclusion of the Galaxy Black Built-in BBQs, enabling you to craft the stylish and modern outdoor kitchen you've always dreamed of.



Features:

- Supplied fully assembled
- #304 Grade black stainless steel hood with glass viewing window
- Temperature gauge and cool touch handle
- Convenient internal lights and blue LED's above control knobs
- Electronic ignition for effortless lighting
- Easy to clean, heavy duty enamel coated cast iron plate and grill
- Cast iron burners with individual controls
- Stainless steel flame tamer for controlled heat distribution
- Ceramic rear burner for healthy rotisserie cooking and convenient side burner
- Complete with warming rack
- Gas certified to Australian Standards
- Approved for natural gas conversion
- Supplied with LCC27 Safe Lok® regulator and hose (propane models only)



RUST PROTECTION



ELECTRONIC IGNITION



TEMPERATURE GAUGE



HIGH HEAT RATING



GAS CERTIFIED TO AUSTRALIAN STANDARDS



FULLY ASSEMBLED

GALAXY BLACK 6 BURNER BUILT-IN BBQ WITH SIDE BURNER

Model Number:	BQ1090BLBHBSL
Main burner output:	6 x 12MJ/h
Side burner output:	1 x 15MJ/h
Rear burner output:	1 x 13MJ/h
Combined output:	100MJ/h
Cooking surface finish:	Enamel coated cast iron
Hotplate & Grill (mm):	Plate - 315 W x 415 D Grill - 318 W x 415 D x 2
Total cooking area (mm):	965 W x 415 D
Dimensions (mm):	1470 W x 685 D x 530 H

GALAXY BLACK 6 BURNER BUILT-IN BBQ

Model Number:	BQ1190BLBSL
Main burner output:	6 x 12MJ/h
Rear burner output:	1 x 13MJ/h
Combined output:	100MJ/h
Cooking surface finish:	Enamel coated cast iron
Hotplate & Grill (mm):	Plate - 315 W x 415 D Grill - 318 W x 415 D x 2
Total cooking area (mm):	965 W x 415 D
Dimensions (mm):	1110 W x 685 D x 530 H

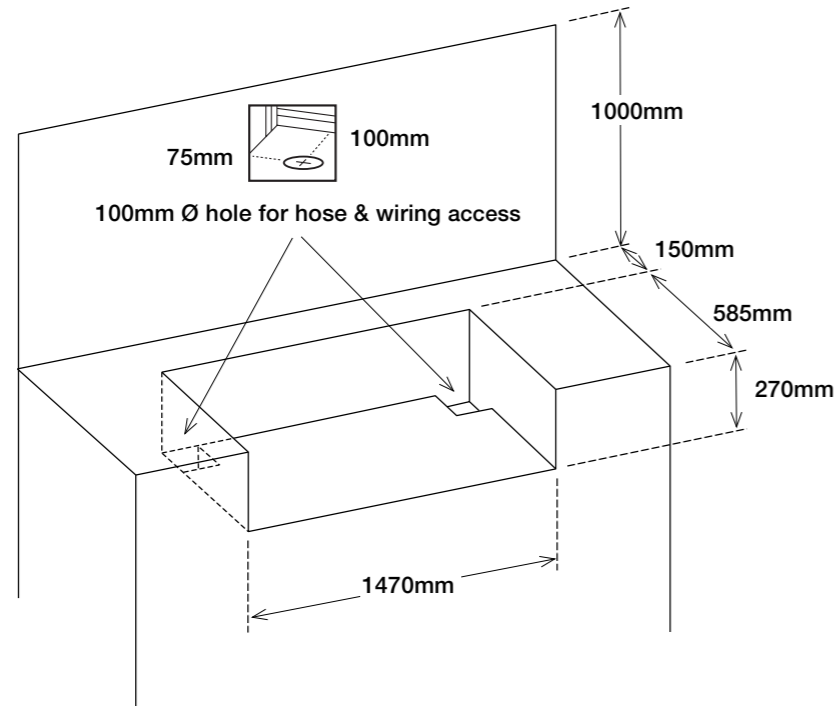
Refer to page 16 for installation and dimensions

GALAXY BLACK

INSTALLATION & DIMENSIONS

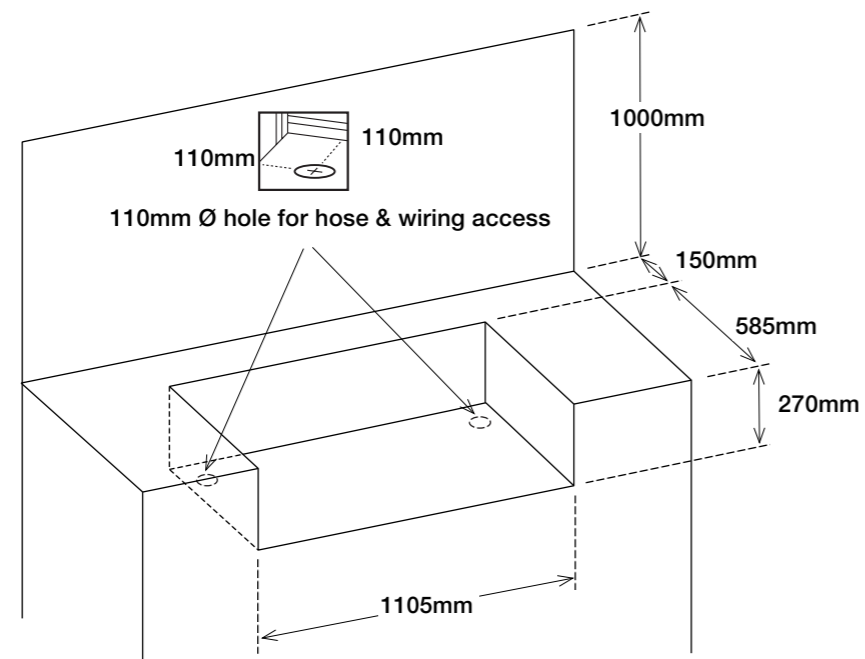
6 BURNER BUILT-IN BBQ WITH SIDE BURNER

MODEL NO: BQ1090BLBHBSL



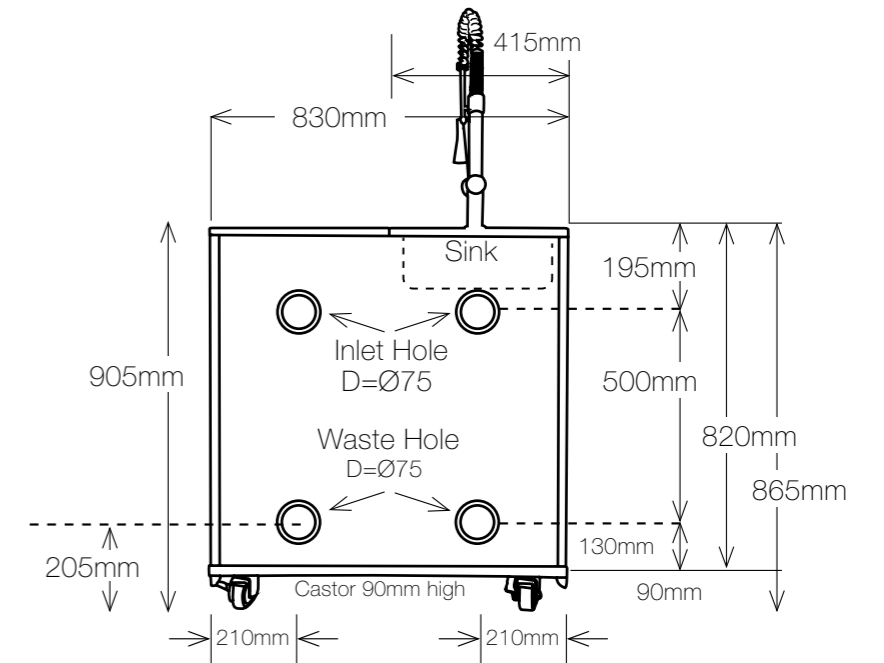
6 BURNER CLASSIC BUILT-IN BBQ WITH SIDE BURNER

MODEL NO: BQ1190BLBLSL



GALAXY BLACK & STAINLESS STEEL SINK MODULE

PLUMBING DIMENSIONS
MODEL NO: BQ1091BL







Gasmate®

Customer Service (Australia Only)

1300 174 876

Monday to Friday 8am - 5pm AEST

www.gasmate.com.au



Follow us on:

Facebook @GasmateAustralia

Instagram @gasmate_au

All images are for reference only. Due to product development, product and images may differ.
Gasmate® is a registered trademark of Sitro Group Australia Pty. Ltd.
www.gasmate.com.au