



Gasmate[®]

PHOENIX BLACK
BBQ SERIES

Elevate your outdoor cooking game with the brand new **Gasmate Phoenix Black BBQ Series**



PHOENIX BLACK

4 BURNER BBQ RANGE

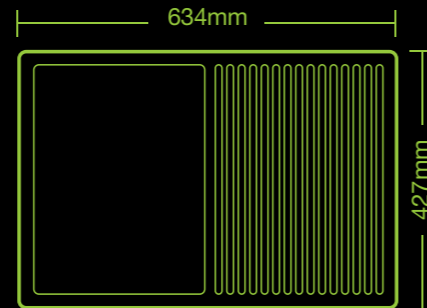
Elevate your outdoor cooking game with the brand new **Gasmate Phoenix Black 4 Burner BBQ!**

It features black stainless steel for a sleek and contemporary slimline design that is sure to turn heads and impress your guests. The black lid and surround add a touch of sophistication to the overall look, making it the perfect addition to any modern outdoor area. But it's not just about the aesthetics - the Phoenix Black BBQ features flame failure safety - stops the gas flow if flame fails. And with its easy-to-install drop-in design, the Gasmate Phoenix Black 4 Burner BBQ is the ultimate blend of style and functionality.

- Available with flat lid or buy the hood kit separately
- Drop-in side burner is also available to complete your outdoor kitchen

Phoenix Black 4 Burner BBQ features:

- 4 Burner BBQ with Flame Failure Device - stops the gas flow when flame fails
- New slimline design - Flush mounting with benchtop
- #304 Premium grade black powder coated stainless steel lid & surround
- Stainless steel (#304) firebox
- 4 x Stainless Steel burners (13.5MJ/h)
- Electronic ignition
- Satin enamel coated cast iron grill & hotplate
- Concealed gas control knobs
- Easy access slide out drip tray
- Cooking area (mm): 634 x 427
- Available in Propane & Natural Gas models



Phoenix Black side burner features:

- 23MJ/h Burner with Flame Failure Device - stops the gas flow when flame fails
- New slimline design - Flush mounting with benchtop
- #304 Premium grade black powder coated stainless steel lid & surround
- Stainless steel (#304) firebox
- Concealed gas control knobs
- Electronic ignition
- Available in Propane & Natural Gas models



#304 PREMIUM GRADE BLACK STAINLESS STEEL



FLAME FAILURE SAFETY - STOPS THE GAS FLOW WHEN FLAME FAILS



54 MJ/h COMBINED OUTPUT OF 54 MJ/h ACROSS 4 BURNERS



ENAMEL CAST IRON HOTPLATE, WITH STAINLESS STEEL BURNERS



ELECTRONIC IGNITION FOR EASY LIGHTING EVERY TIME



CONCEALED GAS CONTROL KNOBS FOR SLEEK LOOK



SUPPLIED WITH LCC27 SAFE LOK® REGULATOR AND HOSE (LPG MODEL ONLY)

PHOENIX BLACK BBQ BURNER RANGE

Model number:	BQ2047BL	BQ2047BLNG	BQ2027BL	BQ2027BLNG
Description:	4 Burner BBQ	4 Burner BBQ	Side Burner	Side Burner
Gas Type:	ULPG	Natural Gas	ULPG	Natural Gas
MJ Rate:	54MJ/h	54MJ/h	23MJ/h	21MJ/h
BTU Rate:	51182	51182	21800	19904
Dimensions (mm):	933 W x 609 D x 265 H	933 W x 609 D x 265 H	321 W x 609 D x 200 H	321 W x 609 D x 200 H
Net Weight:	40kg	40kg	12kg	12kg



Phoenix Black Hood Kit
Model no: BQ2047BLHD

Made from high-quality 304 grade stainless steel, the Phoenix double skinned hood kit has been engineered for easy fixing to your Phoenix Black 4 Burner BBQ.



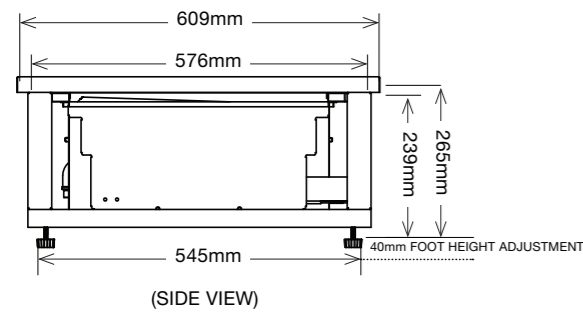
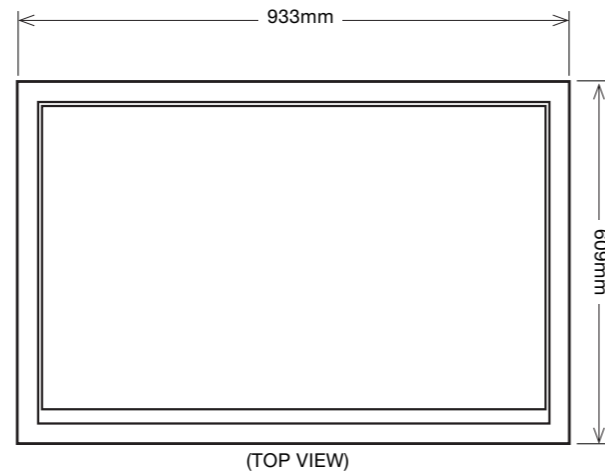
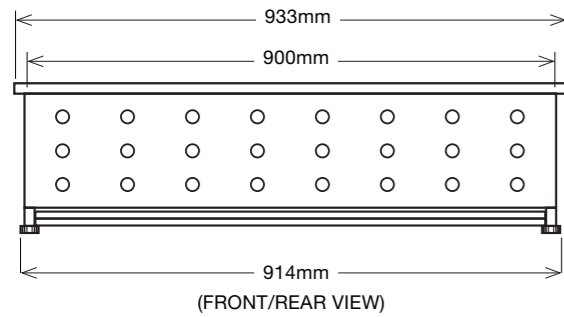
Refer to pages 6 and 7 for installation and dimensions

PHOENIX BLACK 4 BURNER BBQ

INSTALLATION & DIMENSIONS

MODEL NO. BQ2047BL / BQ2047BLNG

PRODUCT DIMENSIONS

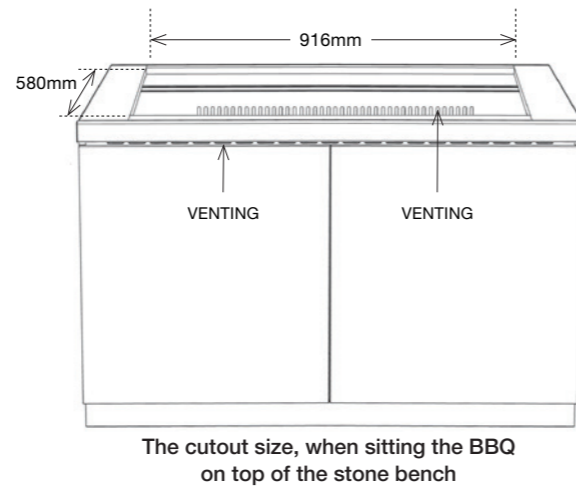
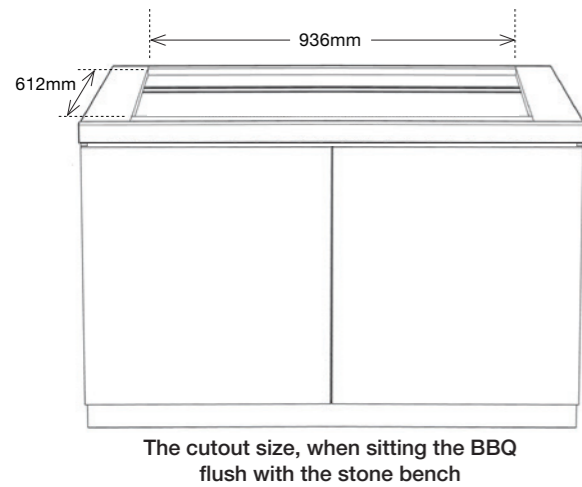


WARNING

This drop-in BBQ is designed to sit flush with the bench. However, if you choose to install the BBQ on top of the stone bench, you need to make sure the legs are supporting the BBQ.

The appliance requires venting. When the BBQ is sitting flush with the bench, there is an approximate 2mm gap around the BBQ edge with the bench. This gap plays an important role of venting, therefore, it should not be sealed with silicon. If you choose, however, to seal the gap, a rectangular unimpeded opening of approx 750mm W x 10mm H in either the front or the rear should be incorporated within the cabinet. Please refer to diagram below as an example.

BENCH CUT-OUT DIMENSIONS



Feet Adjustment:

4 adjustable feet are supplied with the BBQ. Please ensure all 4 feet are attached to the BBQ for height adjustment. If you plan to install the drop in BBQ in our Alfresco Plus BBQ cabinet module, please adjust the feet of the BBQ so that overall height is 290mm. Adjust the feet of the BBQ so all edges sit flush. If you choose to build your own cabinet, please adjust the feet height accordingly.

Drip tray access:

Please note that you must allow access under the BBQ for the drip tray to be removed.

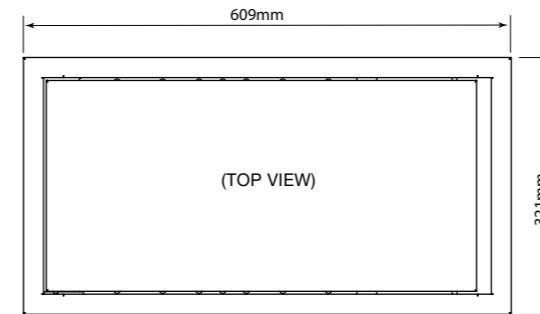
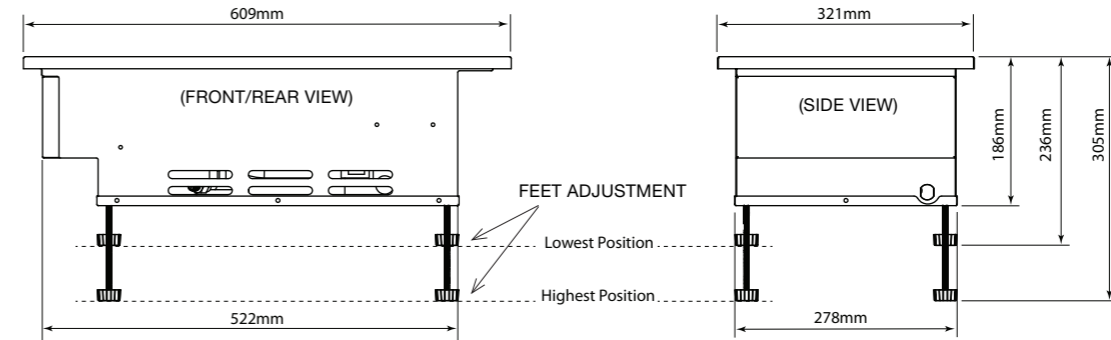
UNDER BENCH CLEARANCE:
150mm ALL AROUND SIDE WALLS OF BBQ

PHOENIX BLACK SIDE BURNER

INSTALLATION & DIMENSIONS

MODEL NO. BQ2027BL / BQ2027BLNG

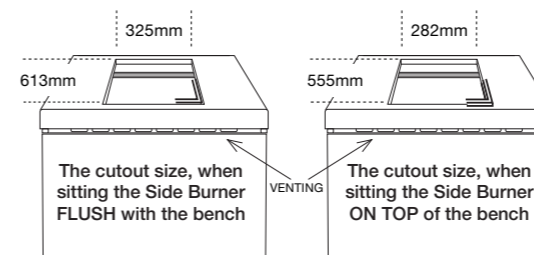
PRODUCT DIMENSIONS



BENCH CUT-OUT DIMENSIONS

Feet Adjustment:

4 adjustable feet are supplied with the BBQ. Please ensure all 4 feet are attached to the BBQ for height adjustment. If you plan to install the drop in BBQ in our Alfresco Plus BBQ cabinet module, please adjust the feet of the BBQ so that overall height is 290mm. Adjust the feet of the BBQ so all edges sit flush. If you choose to build your own cabinet, please adjust the feet height accordingly.



WARNING

This drop-in BBQ is designed to sit flush with the bench. However, if you choose to install the BBQ on top of the bench, you need to make sure the legs are supporting the BBQ.

The appliance requires venting. When the BBQ is sitting flush with the bench, there is an approximate 2mm gap around the BBQ edge with the bench. This gap plays an important role of venting, therefore, it should not be sealed with silicon. If you choose, however, to seal the gap, a rectangular unimpeded opening of approx 375mm W x 10mm H in either the front or the rear should be incorporated within the cabinet. Please refer to diagram below as an example.



Gasmate®

Customer Service (Australia Only)

1300 174 876

Monday to Friday 8am - 5pm AEST

www.gasmate.com.au



Follow us on:

Facebook @GasmateAustralia

Instagram @gasmate_au

All images are for reference only. Due to product development, product and images may differ.
Gasmate® is a registered trademark of Sitro Group Australia Pty. Ltd.
www.gasmate.com.au