

# Gasmate®

## GALAXY GEN2 OUTDOOR KITCHEN RANGE



THE OUTDOORS MADE EASY.

# GALAXY GEN2

## OUTDOOR KITCHEN RANGE



The image features the **Gasmate Galaxy Gen2 Outdoor Kitchen**, showcasing (from left to right): the **Gen2 Double Sintered Stone Bar Fridge Top (BQ3198)** atop the **Gasmate 2 Door 187L Premium Glass Door Bar Fridge (BFR2088)**, the **Gen2 Drawer Module (BQ3093)**, the **Gen2 6 Burner BBQ (BQ19F/BQ19NGF)**, the **Gen2 Storage Module (BQ3092)** and the **Gen2 Sink, Bin & Storage Module (BQ3091)**.



**The Gasmate Galaxy Gen2 Outdoor Kitchen range continues to impress with its sleek dark accents and flame failure safety technology that ensures an automatic gas cut-off if the flame goes out - bringing style and confidence to your alfresco space.**

Create your perfect outdoor cooking and entertaining area with the Galaxy Gen2 6 Burner BBQ, enhanced by the versatile Galaxy Gen2 Modules. The Galaxy range also includes built-in BBQ models that can seamlessly integrate into any custom outdoor kitchen design.

For added style and durability, choose the Galaxy Gen2 Modules with stylish integrated handles and durable sintered stone benchtops. These BBQ and module combinations offer flexible configurations, allowing you to design an outdoor kitchen that suits your space and budget.

The Gasmate Galaxy Gen2 Modules are easy to install, requiring minimal assembly. A range of professional rangehoods and bar fridges are also available to complement your design.

**Create your own stunning outdoor cooking and entertaining area using the Galaxy Gen2 BBQ and Modules.**

# GALAXY GEN2

## 6 BURNER BBQ

- Darker accents throughout including darker stainless steel hood handle, darker control knobs and durable powder coated front fascias
- Flame failure safety technology - ensuring automatic gas cut-off if flame goes out
- Provides up to an impressive 114 MJ/h high heat output, with a total of six burners, a side burner, and a rear rotisserie burner
- Engineered for durability with a powder-coated finish and robust stainless steel construction
- Big cooking space - 960mm x 420mm
- Offers versatile cooking with its enamel coated cast iron hotplate and grill plates for ultimate flexibility
- Electronic ignition for effortless lighting
- The roasting hood is crafted from #304 grade stainless steel, showcasing a sleek black finish, glass viewing window, a temperature gauge, and a cool touch handle for added style and convenience
- Convenient internal hood lights and blue LEDs on the control knobs keep everything clearly visible as you cook
- Cast iron burners with individual controls give a consistent flame from front to back, providing even and efficient heat distribution
- Stainless steel flame tamers for controlled heat distribution
- 17 MJ/h side burner for extended cooking
- 13 MJ/h ceramic rear burner for healthy rotisserie cooking
- Stainless steel warming rack to heat food or keep warm
- Powder coated steel cabinet with 2 doors, 2 drawers and loads of storage space to keep your BBQ neat and tidy with all your BBQ supplies within easy reach
- Gas certified to Australian Standards
- Supplied with LCC27 Safe Lok® Regulator and Hose (Propane only)
- Available in Propane and Natural Gas models



**POWDER COAT**  
DURABLE FINISH



**STAINLESS STEEL**  
RUST PROTECTION



**ELECTRONIC IGNITION**



**TEMPERATURE GAUGE**



**HIGH HEAT RATING**



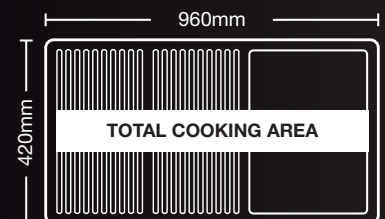
**GAS CERTIFIED TO AUSTRALIAN STANDARDS**



**FULLY ASSEMBLED**

### GALAXY GEN2 6 BURNER BBQ

<b>Model Number:</b>	<b>BQ19F (Propane), BQ19NGF (Natural Gas)</b>
<b>Body finish:</b>	Powder coated
<b>Ignition:</b>	Electronic
<b>Main burners:</b>	6 x cast iron
<b>Total MJ/h rating:</b>	114 MJ/h (BQ19F) / 110.2 MJ/h (BQ19NGF)
<b>Cooking surface finish:</b>	Enamel coated cast iron
<b>Actual plate size (mm):</b>	317 W x 427 D
<b>Actual grill size (mm):</b>	317 W x 427 D (2 grills)
<b>Total cooking area (mm):</b>	960 W x 420 D
<b>Dimensions (mm):</b>	1470 W x 685 D x 1220 H





# GALAXY GEN2 MODULES

Introducing the **Gasmate Galaxy Gen2 Modules**, now enhanced with sleek, darker accents and new durable sintered stone benchtop. Mix and match any Galaxy Gen2 modules with the BBQ to create a stunning, fully customised outdoor kitchen setup.

- New durable sintered stone benchtops
- Built tough, featuring a durable powder-coated finish with premium sintered stone benchtop
- Storage space to keep all your BBQ supplies neat and tidy and within easy reach
- Convenient locking castors for easy moving
- Sleek integrated handles



**DURABLE  
FINISH**



**RUST  
PROTECTION**



**EASY  
ASSEMBLY**



## GALAXY GEN2 SINK, BIN & STORAGE MODULE BQ3091

- Dark stainless steel sink with WELS approved hot and cold tap
- A bin is included under the sink, along with spacious storage and internal shelving

### GALAXY GEN2 SINK, BIN & STORAGE MODULE

<b>Model Number:</b>	<b>BQ3091</b>
<b>Body finish:</b>	Black powder coated
<b>Top:</b>	Sintered stone
<b>Sink:</b>	Dark stainless Steel
<b>Overall dimensions (mm):</b>	830 W x 685 D x 905 H

Refer to page 14 for installation and dimensions

## GALAXY GEN2 STORAGE MODULE

BQ3092

- Ample storage space with a cabinet featuring 2 doors and 2 internal storage shelves, perfect for keeping all your BBQ supplies organised and within easy reach



### GALAXY GEN2 STORAGE MODULE

Model Number:	BQ3092
Body finish:	Black powder coated
Top:	Sintered stone
Overall dimensions (mm):	830 W x 685 D x 905 H

## GALAXY GEN2 3 DRAWER MODULE

BQ3093

- Ample storage space with 3 full depth drawers to keep all your BBQ supplies neat and tidy and within easy reach



### GALAXY GEN2 3 DRAWER MODULE

Model Number:	BQ3093
Body finish:	Black powder coated
Top:	Sintered stone
Overall dimensions (mm):	830 W x 685 D x 905 H

## GALAXY GEN2 CORNER MODULE

BQ3052



### GALAXY GEN2 CORNER MODULE

Model Number:	BQ3052
Body finish:	Black powder coated
Top:	Sintered stone
Overall dimensions (mm):	750 W x 750 D x 905 H

## GALAXY GEN2 PREMIUM FRIDGE TOPS

BQ3197 (Single)  
BQ3198 (Double)



### GALAXY GEN2 PREMIUM FRIDGE TOPS

Model Number:	BQ3197 (Single) BQ3198 (Double)
Fascia:	304 grade stainless steel
Top:	Sintered stone
Overall dimensions - single (mm):	503 W x 685 D
Overall dimensions - double (mm):	903 W x 685 D

## GALAXY GEN2 COMPACT LAMINATE END PANELS

BA3514



### GALAXY GEN2 COMPACT LAMINATE END PANEL

Model Number:	BA3514
Overall dimensions (mm):	22W x 685 D x 905 H



# PHOENIX BBQ & SIDE BURNER MODULES

## DESIGNED FOR GALAXY GEN2 RANGE

Unlock premium performance and modular freedom. With specially designed Galaxy Gen2 modules for the Phoenix BBQ and Side Burner, you can now build a fully integrated outdoor kitchen - with matching finishes and flexible layout options.

- **Dual Functionality:** Use the BBQ and Side Burner as standalone units or pair them seamlessly with Galaxy Gen2 modules and Premium fridges.
- **Limitless Customisation:** Create your ideal outdoor kitchen setup by combining different modules to suit your needs.

Please note, the Phoenix BBQ and side burner appliances are not included with the modules. For more technical information on the Phoenix BBQ and side burner appliances, **please go to page 18.**



**Phoenix BBQ Module**

Model no. BQ3058GX

Dimensions (mm): 1,074 W x 685 D x 905 H



Gasmate Galaxy Gen2 Double Fridge Top + Double Fridge Module

Gasmate Galaxy Gen2 3 Drawer Module





**Phoenix Side  
Burner Module**

Model no. BQ3059GX  
Dimensions (mm):  
480 W x 685 D x 905 H



**Phoenix  
BBQ module**

**Gasmate Galaxy Gen2  
Sink, Bin & Storage Module**



Pictured: the **Gasmate Galaxy Gen2** with Phoneix Module, Phoneix BBQ with hood and Phoenix Side Burner Module, all intergrated perfectly with the Galaxy Gen 2 module range.



# MIX & MATCH YOUR MODULES

## Design your own outdoor cooking and entertaining area

Create your perfect outdoor cooking and entertaining space with the **Galaxy Gen2 Modules**, known for their blend of style and durability. Featuring sleek integrated handles and long-lasting sintered stone benchtops, these BBQ and module combinations are designed to elevate your outdoor area. With flexible configurations available, you can tailor the design to fit both your space and budget, ensuring a customised and functional outdoor kitchen experience.



Image shows (left to right): the **Gen2 Compact Laminate End Panel (BA3514)**, the **Gen2 Double Sintered Stone Bar Fridge Top (BQ3198)** on top of the **Gasmate 2 Door 187L Premium Glass Door Bar Fridge (BFR2088)**, the **Gen2 6 Burner BBQ (BQ19F/BQ19NGF)**, the **Gen2 Sink, Bin & Storage Module (BQ3091)** and the **Gen2 Compact Laminate End Panel (BA3514)**



Image shows (left to right): the **Gen2 Compact Laminate End Panel (BA3514)**, the **Gen2 Double Sintered Stone Bar Fridge Top (BQ3198)** on top of the **Gasmate 2 Door 187L Premium Glass Door Bar Fridge (BFR2088)**, the **Gen2 3 Drawer Module (BQ3093)**, the **Gen2 6 Burner BBQ (BQ19F/BQ19NGF)**, the **Gen2 Sink, Bin & Storage Module (BQ3091)** and the **Gen2 Compact Laminate End Panel (BA3514)**



Image shows (left to right): the **Gen2 Compact Laminate End Panel (BA3514)**, the **Gen2 Sintered Stone Bar Fridge Top (BQ3197)** on top of the **Gasmate 1 Door 97L Premium Glass Door Bar Fridge (BFR1088)**, the **Gen2 6 Burner BBQ (BQ19F/BQ19NGF)**, the **Gen2 Sink, Bin & Storage Module (BQ3091)** and the **Gen2 Compact Laminate End Panel (BA3514)**





Pictured: the **Gasmate Galaxy Gen2** Corner Module, seamlessly finished with the Compact Laminate End Panel for a clean, polished look.

# GALAXY GEN2

## 6 BURNER BUILT-IN BBQ RANGE

For a bespoke outdoor kitchen featuring custom cabinets, the **Gasmate Galaxy Gen2 6 Burner Built-In BBQs** are the ideal addition.

The Galaxy Gen2 6 Burner Built-In BBQs will take your outdoor kitchen to the next level, helping you create the stylish and modern space you've always envisioned.





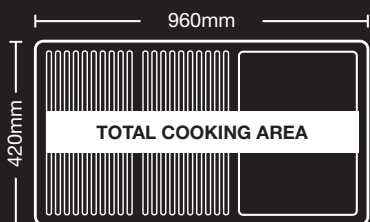
## GALAXY GEN2 6 BURNER BUILT-IN BBQ

BQ193BF (Propane), BQ193BNGF (Natural Gas)



### Features:

- Darker accents throughout including darker stainless steel hood handle, darker control knobs and durable powder coated front fascias
- Flame failure safety technology - ensuring automatic gas cut-off if flame goes out
- Provides up to an impressive 114 MJ/h high heat output, with a total of six burners, a side burner, and a rear rotisserie burner
- Engineered for durability with a powder-coated finish and robust stainless steel construction
- Big cooking space - 960mm x 420mm
- Offers versatile cooking with its enamel coated cast iron hotplate and grill plates for ultimate flexibility
- Electronic ignition for effortless lighting
- The roasting hood is crafted from #304 grade stainless steel, showcasing a sleek black finish, glass viewing window, a temperature gauge, and a cool touch handle for added style and convenience
- Convenient internal hood lights and blue LEDs on the control knobs keep everything clearly visible as you cook
- Cast iron burners with individual controls give a consistent flame from front to back, providing even and efficient heat distribution
- Stainless steel flame tamers for controlled heat distribution
- 17 MJ/h side burner for extended cooking
- 13 MJ/h ceramic rear burner for healthy rotisserie cooking
- Stainless steel warming rack to heat food or keep warm
- Gas certified to Australian Standards
- Supplied with LCC27 Safe Lok® Regulator and Hose (Propane only)
- Available in Propane and Natural Gas models



## GALAXY GEN2 6 BURNER BUILT-IN BBQ WITH SIDE BURNER

BQ19BF (Propane), BQ19BNGF (Natural Gas)



### GALAXY GEN2 6 BURNER BUILT-IN BBQ

<b>Model Number:</b>	<b>BQ193BF (Propane)</b> <b>BQ193BNGF (Natural Gas)</b>
<b>Body finish:</b>	Powder coated
<b>Ignition:</b>	Electronic
<b>Main burners:</b>	6 x cast iron
<b>Total MJ/h rating:</b>	97 MJ/h (Propane)
<b>Cooking surface finish:</b>	Enamel coated cast iron
<b>Actual plate size (mm):</b>	317 W x 427 D
<b>Actual grill size (mm):</b>	317 W x 427 D (2 grills)
<b>Total cooking area (mm):</b>	960 W x 420 D
<b>Dimensions (mm):</b>	1105 W x 685 D x 565 H

### GALAXY GEN2 6 BURNER BUILT-IN BBQ WITH SIDE BURNER

<b>Model Number:</b>	<b>BQ19BF (Propane)</b> <b>BQ19BNGF (Natural Gas)</b>
<b>Body finish:</b>	Powder coated
<b>Ignition:</b>	Electronic
<b>Main burners:</b>	6 x cast iron
<b>Total MJ/h rating:</b>	114 MJ/h (Propane)
<b>Cooking surface finish:</b>	Enamel coated cast iron
<b>Actual plate size (mm):</b>	317 W x 427 D (2 grills)
<b>Actual grill size (mm):</b>	317 W x 427 D
<b>Total cooking area (mm):</b>	960 W x 420 D
<b>Dimensions (mm):</b>	1470 W x 685 D x 565 H

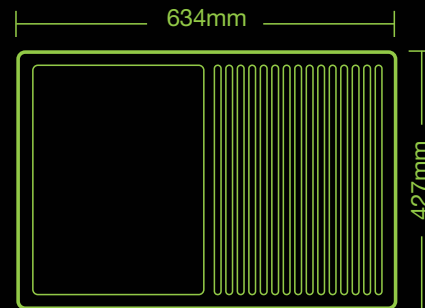
# PHOENIX BLACK

## 4 BURNER BBQ RANGE

Elevate your outdoor cooking game with the brand new **Gasmate Phoenix Black 4 Burner BBQ!**

It features black stainless steel for a sleek and contemporary slimline design that is sure to turn heads and impress your guests. The black lid and surround add a touch of sophistication to the overall look, making it the perfect addition to any modern outdoor area. But it's not just about the aesthetics - the Phoenix Black BBQ features flame failure safety - stops the gas flow if flame fails. And with its easy-to-install drop-in design, the Gasmate Phoenix Black 4 Burner BBQ is the ultimate blend of style and functionality.

- Available with flat lid or buy the hood kit separately
- Drop-in side burner is also available to complete your outdoor kitchen



### Phoenix Black 4 Burner BBQ features:

- 4 Burner BBQ with Flame Failure Device - stops the gas flow when flame fails
- New slimline design - Flush mounting with benchtop
- #304 Premium grade black powder coated stainless steel lid & surround
- Stainless steel (#304) firebox
- 4 x Stainless Steel burners (13.5MJ/h)
- Electronic ignition
- Satin enamel coated cast iron grill & hotplate
- Concealed gas control knobs
- Easy access slide out drip tray
- Cooking area (mm): 634 x 427
- Available in Propane & Natural Gas models

### Phoenix Black side burner features:

- 23MJ/h Burner with Flame Failure Device - stops the gas flow when flame fails
- New slimline design - Flush mounting with benchtop
- #304 Premium grade black powder coated stainless steel lid & surround
- Stainless steel (#304) firebox
- Concealed gas control knobs
- Electronic ignition
- Available in Propane & Natural Gas models



#304 PREMIUM GRADE BLACK STAINLESS STEEL



FLAME FAILURE SAFETY - STOPS THE GAS FLOW WHEN FLAME FAILS



54 MJ/h COMBINED OUTPUT OF 54 MJ/H ACROSS 4 BURNERS



ENAMEL CAST IRON HOTPLATE, WITH STAINLESS STEEL BURNERS



ELECTRONIC IGNITION FOR EASY LIGHTING EVERY TIME



CONCEALED GAS CONTROL KNOBS FOR SLEEK LOOK



SUPPLIED WITH LCC27 SAFE LOK® REGULATOR AND HOSE (LPG MODEL ONLY)

### PHOENIX BLACK BBQ BURNER RANGE

Model number:	BQ2047BL	BQ2047BLNG	BQ2027BL	BQ2027BLNG
Description:	4 Burner BBQ	4 Burner BBQ	Side Burner	Side Burner
Gas Type:	ULPG	Natural Gas	ULPG	Natural Gas
MJ Rate:	54MJ/h	54MJ/h	23MJ/h	21MJ/h
BTU Rate:	51182	51182	21800	19904
Dimensions (mm):	933 W x 609 D x 265 H	933 W x 609 D x 265 H	321 W x 609 D x 200 H	321 W x 609 D x 200 H
Net Weight:	40kg	40kg	12kg	12kg



**Phoenix Black Hood Kit**  
**Model no: BQ2047BLHD**

Made from high-quality 304 grade stainless steel, the Phoenix double skinned hood kit has been engineered for easy fixing to your Phoenix Black 4 Burner BBQ.



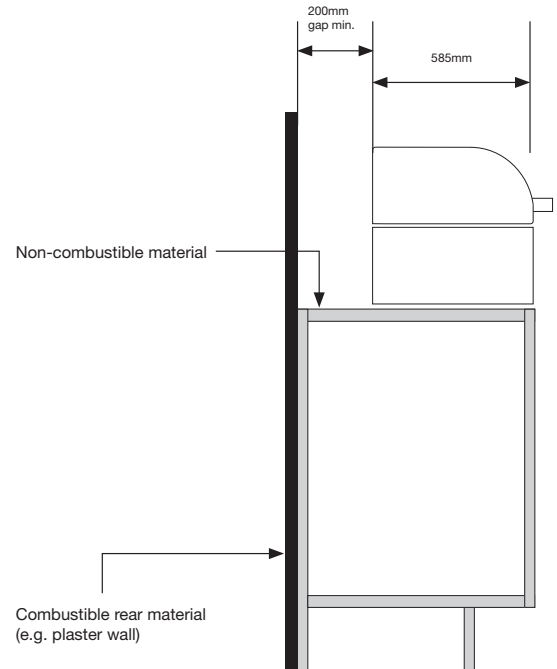
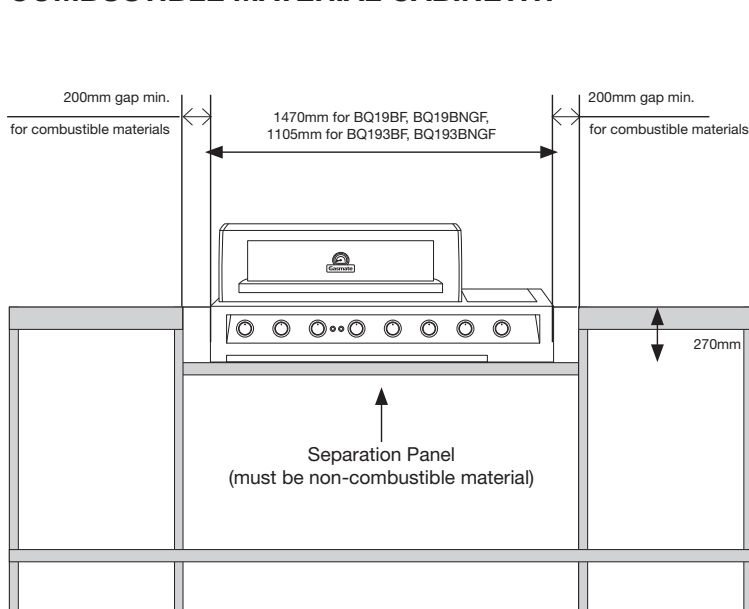
Refer to page 22 for installation and dimensions

# GALAXY GEN2 INSTALLATION & DIMENSIONS

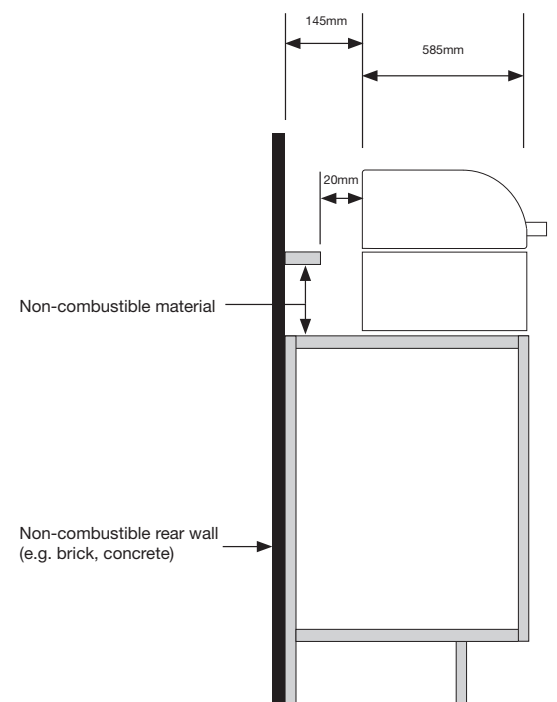
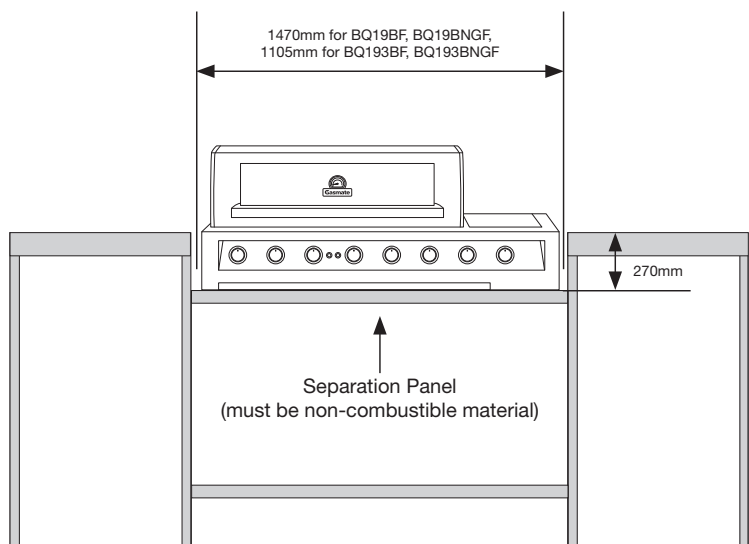
## GALAXY GEN2 6 BURNER BUILT-IN BBQ WITH SIDE BURNER

BQ19BF (LPG), BQ19BNGF (Natural Gas)

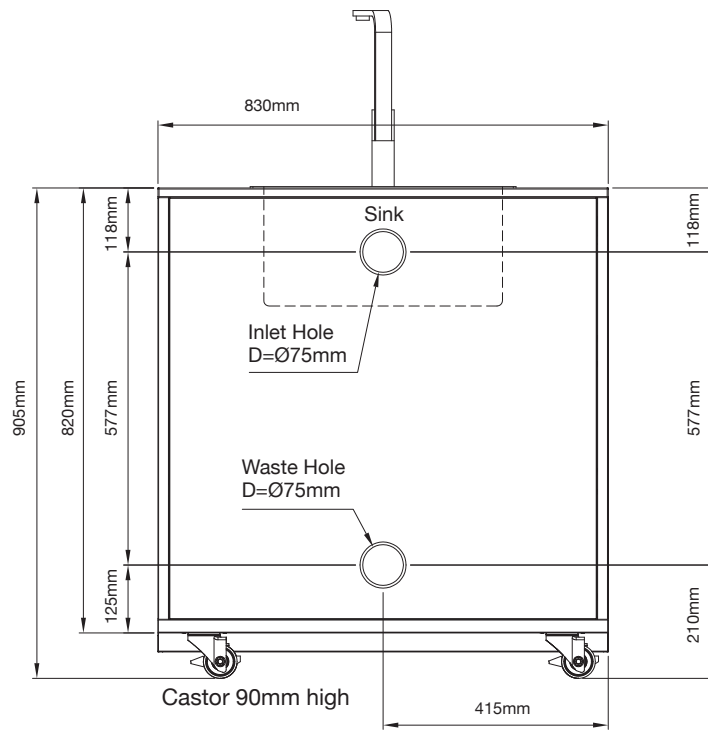
### COMBUSTIBLE MATERIAL CABINERY



### NON-COMBUSTIBLE MATERIAL CABINERY



**GALAXY GEN2 SINK, BIN & STORAGE MODULE**  
**PLUMBING DIMENSIONS**  
BQ3091

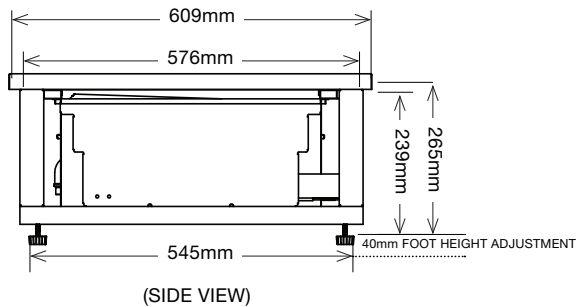
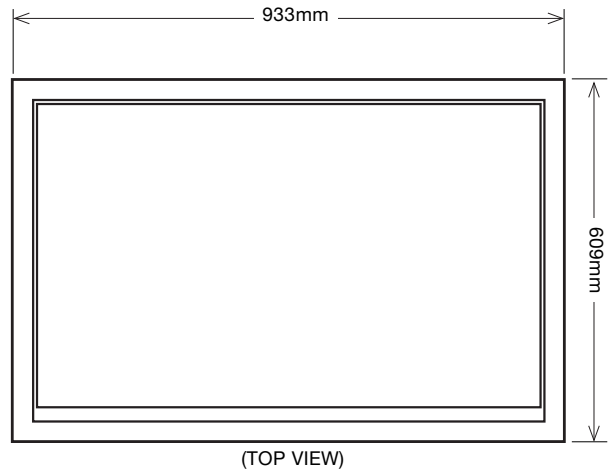
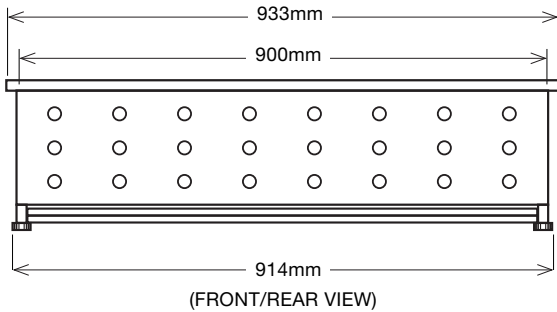


# PHOENIX BLACK 4 BURNER BBQ

## INSTALLATION & DIMENSIONS

MODEL NO. BQ2047BL / BQ2047BLNG

### PRODUCT DIMENSIONS

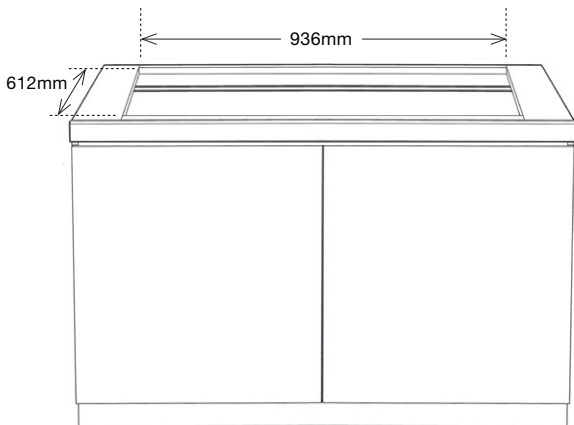


**WARNING**

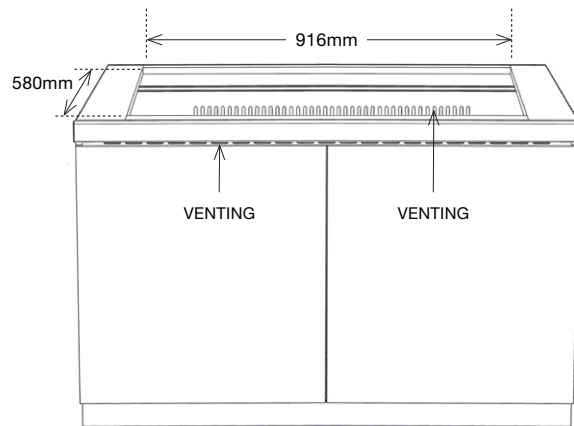
This drop-in BBQ is designed to sit flush with the bench. However, if you choose to install the BBQ on top of the stone bench, you need to make sure the legs are supporting the BBQ.

The appliance requires venting. When the BBQ is sitting flush with the bench, there is an approximate 2mm gap around the BBQ edge with the bench. This gap plays an important role of venting, therefore, it should not be sealed with silicon. If you choose, however, to seal the gap, a rectangular unimpeded opening of approx 750mm W x 10mm H in either the front or the rear should be incorporated within the cabinet. Please refer to diagram below as an example.

### BENCH CUT-OUT DIMENSIONS



The cutout size, when sitting the BBQ flush with the stone bench



The cutout size, when sitting the BBQ on top of the stone bench

### Feet Adjustment:

4 adjustable feet are supplied with the BBQ. Please ensure all 4 feet are attached to the BBQ for height adjustment. If you plan to install the drop in BBQ in our Alfresco Plus BBQ cabinet module, please adjust the feet of the BBQ so that overall height is 290mm. Adjust the feet of the BBQ so all edges sit flush. If you choose to build your own cabinet, please adjust the feet height accordingly.

Drip tray access:

Please note that you must allow access under the BBQ for the drip tray to be removed.

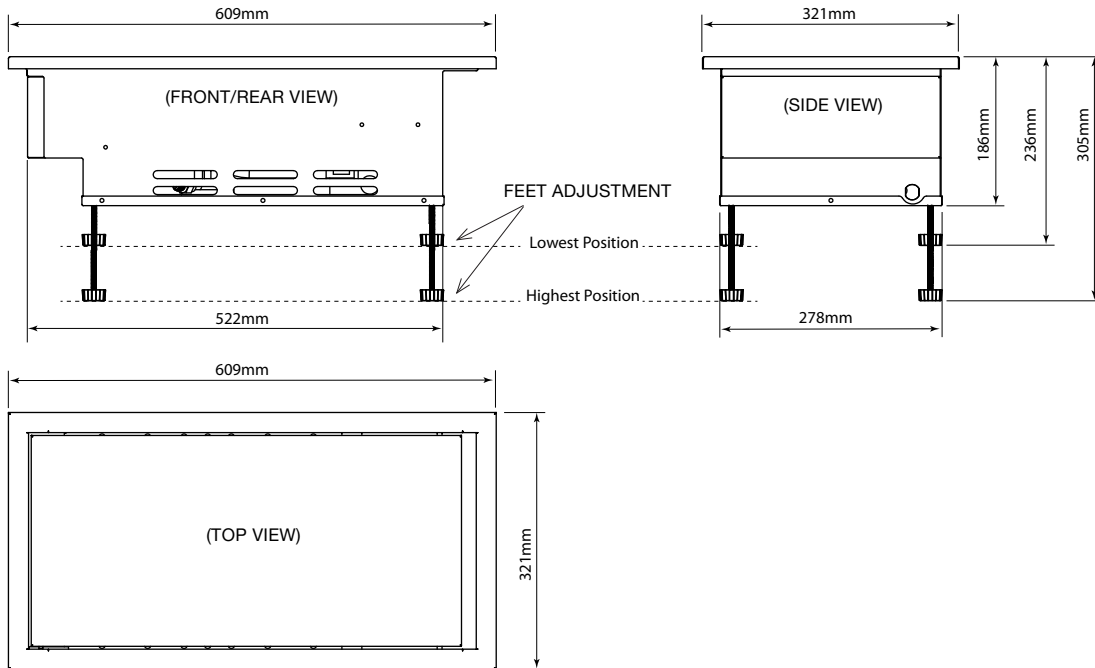
**UNDER BENCH CLEARANCE:**  
150mm ALL AROUND SIDE WALLS OF BBQ

# PHOENIX BLACK SIDE BURNER

## INSTALLATION & DIMENSIONS

MODEL NO. BQ2027BL / BQ2027BLNG

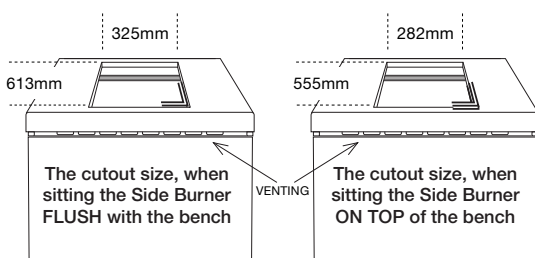
### PRODUCT DIMENSIONS



### BENCH CUT-OUT DIMENSIONS

#### Feet Adjustment:

4 adjustable feet are supplied with the BBQ. Please ensure all 4 feet are attached to the BBQ for height adjustment. If you plan to install the drop in BBQ in our Alfresco Plus BBQ cabinet module, please adjust the feet of the BBQ so that overall height is 290mm. Adjust the feet of the BBQ so all edges sit flush. If you choose to build your own cabinet, please adjust the feet height accordingly.



#### WARNING

This drop-in BBQ is designed to sit flush with the bench. However, if you choose to install the BBQ on top of the bench, you need to make sure the legs are supporting the BBQ.

The appliance requires venting. When the BBQ is sitting flush with the bench, there is an approximate 2mm gap around the BBQ edge with the bench. This gap plays an important role of venting, therefore, it should not be sealed with silicon. If you choose, however, to seal the gap, a rectangular unimpeded opening of approx 375mm W x 10mm H in either the front or the rear should be incorporated within the cabinet. Please refer to diagram below as an example.



# Gasmate®

Customer Service (Australia Only)

**1300 174 876**

Monday to Friday 8am - 5pm AEST

**[gasmate.com.au](http://gasmate.com.au)**

[gasmate.com.au](http://gasmate.com.au)  Gasmate  @gasmate\_au

All images are for reference only. Due to product development, product and images may differ.  
Gasmate® is a registered trademark of Sitro Group Australia Pty. Ltd.  
[www.gasmate.com.au](http://www.gasmate.com.au)