



## IMPORTANT

Read these instructions for use carefully. Familiarise yourself with the appliance before connecting it to its gas container. Keep these instructions for future reference.

### ONLY USE IN WELL-VENTILATED AREAS.

### CARBON MONOXIDE HAZARD!

THIS APPLIANCE CAN PRODUCE CARBON MONOXIDE WHICH HAS NO ODOUR. USING IT IN AN ENCLOSED SPACE (FOR EXAMPLE, CARAVAN, TENT, CAR, MOBILE HOME) MAY CAUSE DEATH.

- Do not modify this appliance.
- Check that seals between the appliance and the gas container are in place and in good condition before connecting the gas container.
- Do not use the appliance if it has damaged or worn seals.
- Do not use this appliance if it is leaking, damaged or does not operate properly.
- This appliance must only be serviced by an authorized person.
- The openings at the base of the burner provide air for combustion, they should never be obstructed. If the flame becomes significantly orange check these openings for a blockage.
- If the appliance cannot be adjusted to perform correctly it should not be used until serviced or repaired.
- To check that the gas cylinder is filled, when shaken a sloshing sound will be heard.

**CAUTION:** Accessible parts may be very hot. Keep young children away.

During use the top of the lantern will be very hot. Always lift the lantern using the handle.

### USE OUTDOORS ONLY.

### PROPANE PRODUCT

This appliance shall only be used with a propane gas cylinder certified to AS2469.

**IT MAY BE HAZARDOUS TO ATTEMPT TO FIT OTHER TYPES OF GAS CONTAINERS.**

Gas cylinders should be stored outdoors in a well ventilated area out of reach of children. Any indoor storage shall comply with AS/NZS 1596.

After use, turn the gas cylinder valve off and wait for the flame to go out.

If there is a leak on your appliance (smell of gas) immediately attempt to turn off the cylinder valve. Remove the appliance to a well-ventilated location away from any ignition source. Check for leaks using soapy water. Do not try to detect leaks using a flame.

**ENSURE MANTLE TIE IS FITTED SECURELY INTO GROOVE AROUND THE BURNER AND MANTLE FOLDS ARE SPREAD EVENLY BEFORE LIGHTING THIS APPLIANCE.**

**BEFORE LIGHTING APPLIANCE PLEASE ENSURE MANTLE IS FITTED CORRECTLY AND NOT DAMAGED PRIOR TO USE.**



Do not operate without mantle



Do not use a mantle with hole or cracks

**For any queries or assistance call**



**Customer Service**  
(Australia Only)

**1300 174 876**

Hours of operation:  
Monday to Friday 8.30am - 5.30pm EST

**Do not return to place of purchase.**

Contact 1300 174 876

Your purchase receipt will be required for warranty claims.

# Gasmate®

## Gas Lantern Model No. 2013 and 2013PL

### Product Features:

- Frosted lantern glass to prevent glare
- Sturdy chrome plated steel main frame
- Durable epoxy powder coated hood
- Suitable for attachment to a 3/8" BSP LH camping cylinder or lantern pole
- Propane gas
- For outdoor use only
- AGA certified



Gasmate® is a registered trademark of: Sitro Group Australia Pty Ltd [www.gasmate.com.au](http://www.gasmate.com.au)  
Aber Ltd - Hamilton, N.Z. [www.gasmate.co.nz](http://www.gasmate.co.nz)

**Important:** Retain these instructions for future use.

# Gasmate®

## GENERAL INFORMATION

### INSTRUCTIONS FOR USE

- Remove lantern from carton and remove any transit protection material.
- The lantern must be placed on a stable horizontal surface.
  - The appliance area must be kept clear and free of combustible materials, gasoline and other flammable vapours and liquids.
  - Gas orifices and burner must be kept clear of dirt and cobwebs. Flow of combustion and ventilation air through the perforated portions of the appliance must not be obstructed.
  - Any cleaning agent used on the appliance should be of a non-combustible and non-corrosive nature.
- Proper clearance from combustible materials must be maintained at all times. The minimum clearances are as follows:

#### Minimum Clearance from Combustibles:

**Side** 600mm      **Top** 600mm

Combustible materials are considered to be wood, compressed paper, plant fibres, plastic, plexiglas or other materials capable of being ignited and burned.

Such materials shall be considered combustible even though flame proofed, fire-retardant treated or plastered. Additional clearance may be required for glass, painted surfaces and other materials which may be damaged by radiant or convection heat.

- Attach the lantern to the specified camping cylinder and ensure that control valve is fully closed.

### TO ATTACH MANTLE

Tie or clip mantles around groove in burner tube. Distribute folds on the mantle evenly. Cut off surplus string. Be careful that mantle does not snag on electrodes and tear.

### LIGHTING AND BURNING OFF MANTLE

Light the mantle with a lighted match with gas turned on slightly. Allow the mantle to burn until it stops shrinking then open the valve further until the mantle takes its correct shape. Close control valve and allow mantle to cool, then it is ready for use. NOTE: The mantle is now very brittle and should not be touched.

### RELIGHTING AND REGULATING

Once the mantle has been burned off, the lantern can be relit by inserting a lighted match through the lighting hole or pressing the piezo ignition button (if equipped) while simultaneously opening the cylinder valve. When mantle is lit, turn knob anti-clockwise to increase light intensity, and clockwise to decrease intensity or extinguish. Do not open valve beyond the point where maximum intensity is reached as this may cause unnecessary flaring, and waste of gas.

### REPLACING JETS

If the jet should become blocked or need replacement, remove the lantern connector assembly to which the jet is assembled. The jet can now be removed. To clear blocked jets wash in petrol. Do not use wires or prickers. If washing is unsuccessful, fit new jet. When refitting the jet, make sure it is tight.

### REPLACING MANTLE

Carefully remove all traces of old mantle. Fit the new mantle by tying or clipping firmly into the groove of the burner tube and spread evenly all around. The mantle can then be burned off as described previously.

### ANNUAL MAINTENANCE

Clean the body of your appliance using a cotton cloth soaked in soapy hot water. Never use abrasive or flammable cleaning products. Use a soft brush to clean the burner.

### STORAGE

When the appliance is not used it must be stored in a suitable area to protect it from any risk of deterioration. Keep it in a well ventilated area and out of reach of children.

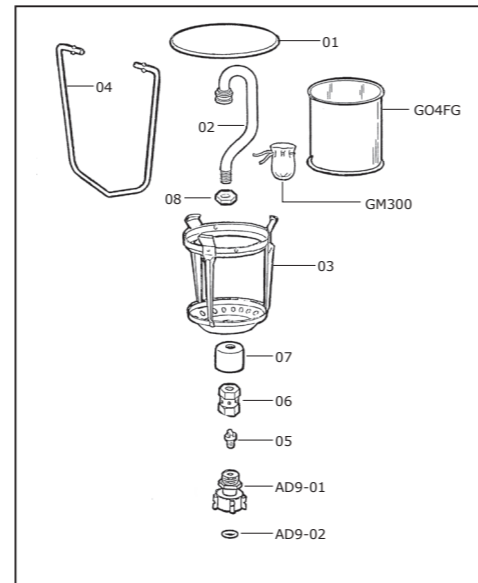
### HANDY HINTS

- Inspect the "O" Ring and rubber washer regularly and replace if worn or damaged.
- Never connect or disconnect the lantern near an open flame.
- Check for gas leaks with SOAPY WATER. DO NOT USE A FLAME.
- Ensure that the area in which the lantern is to be used is well ventilated and DO NOT use lantern as a space heater in tent, caravan, etc.
- Ensure the lantern is completely extinguished before disconnecting from the gas cylinder.
- DO NOT place the lantern closer than 60cm from ceiling or flammable material.
- Avoid moving the lantern during use as this can cause large flames.

### THINGS YOU SHOULD KNOW

- Always have a spare set of mantles. Once burned, a mantle is fragile and can be damaged if touched or dropped.
- If your lantern burns with a yellow smokey flame, check the burner and air tube for spider webs.
- This lantern consumes air (oxygen). DO NOT USE in unventilated areas. Ample ventilation must be provided.
- Provide additional ventilation for any other fuel burning appliances which may be operating within the same enclosed area.
- Never allow tents, sleeping bags, or any other flammable material to come within 5 metres of this appliance.

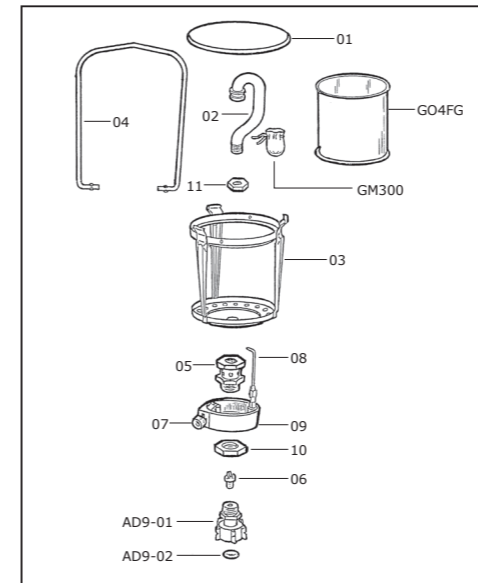
GAS CONSUMPTION	g/h	MJ/h	BTU	FM Jet
Large Lanterns 2013 & 2013PL	98 g/h	5 MJ/h	4760 BTU	0.13mm



### SPARE PARTS - MANUAL MODEL

#### Model No. 2013

- 01 Cover
- 02 Burner tube
- 03 Frame
- 04 Handle
- 05 'FM' Jet (0.13mm)
- 06 Air mixing collar
- 07 Shield cup
- 08 Locknut
- GM300 Mantle for 2013
- G04FG Heat resistant glass
- AD9-01 3/8" BSP. LH connector
- AD9-02 O-ring for connector



### SPARE PARTS - PIEZO MODEL

#### Model No. 2013PL

- 01 Cover
- 02 Burner tube
- 03 Frame
- 04 Handle
- 05 Air mixing collar
- 06 'FM' Jet (0.13mm)
- 07 Piezo ignitor with button
- 08 Electrode
- 09 Base
- 10 Locknut
- 11 Locknut for burner tube
- GM300 Mantle for 2013PL
- G04FG Heat resistant glass
- AD9-01 3/8" BSP. LH connector
- AD9-02 O-ring for connector

## SAFE APPLIANCE LOCATIONS

This appliance shall only be used in an above ground open-air situation with natural ventilation, without stagnant areas, where gas leakage and products of combustion are rapidly dispersed by wind and natural convection.

### Any enclosure in which the appliance is used shall comply with the following:

An enclosure with walls on all sides, but at least one permanent opening at ground level and no overhead cover (see Example 1).

Within a partial enclosure that includes an overhead cover and no more than two walls (see Example 2 & 3).

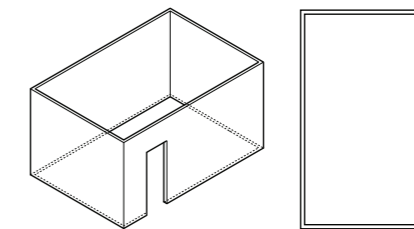
### Within a partial enclosure that includes an overhead cover and more than two walls, the following will apply:

at least 25% of the total wall area is completely open, and at least 30% of the remaining wall area is open and unrestricted (see Example 4 & 5).

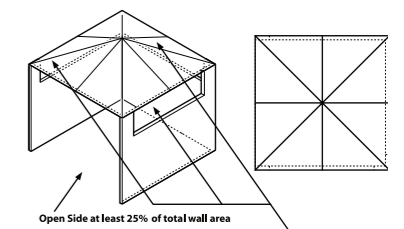
### In the case of balconies, at least 20% of the total wall area shall be and remain open and unrestricted.

## DIAGRAMMATIC REPRESENTATIONS OF OUTDOOR AREAS

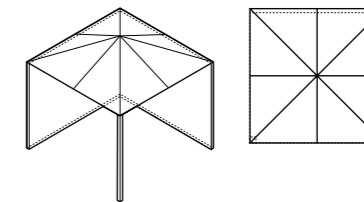
The following figures are diagrammatic representations of outdoor areas. Rectangular areas have been used in these figures – the same principles apply to any other shaped area.



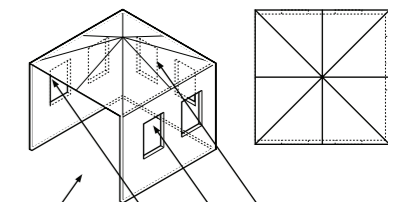
Outdoor Area - Example 1



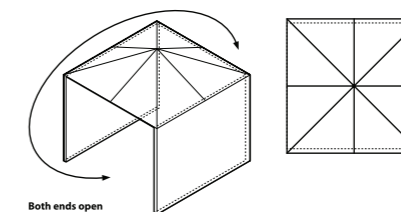
Open Side at least 25% of total wall area  
30% or more in total of the remaining wall area is open and unrestricted  
Outdoor Area - Example 4



Outdoor Area - Example 2



Open Side at least 25% of total wall area  
30% or more in total of the remaining wall area is open and unrestricted  
Outdoor Area - Example 5



Both ends open  
Outdoor Area - Example 3