

Specialist Deluxe Series II Sink Module BQ8301



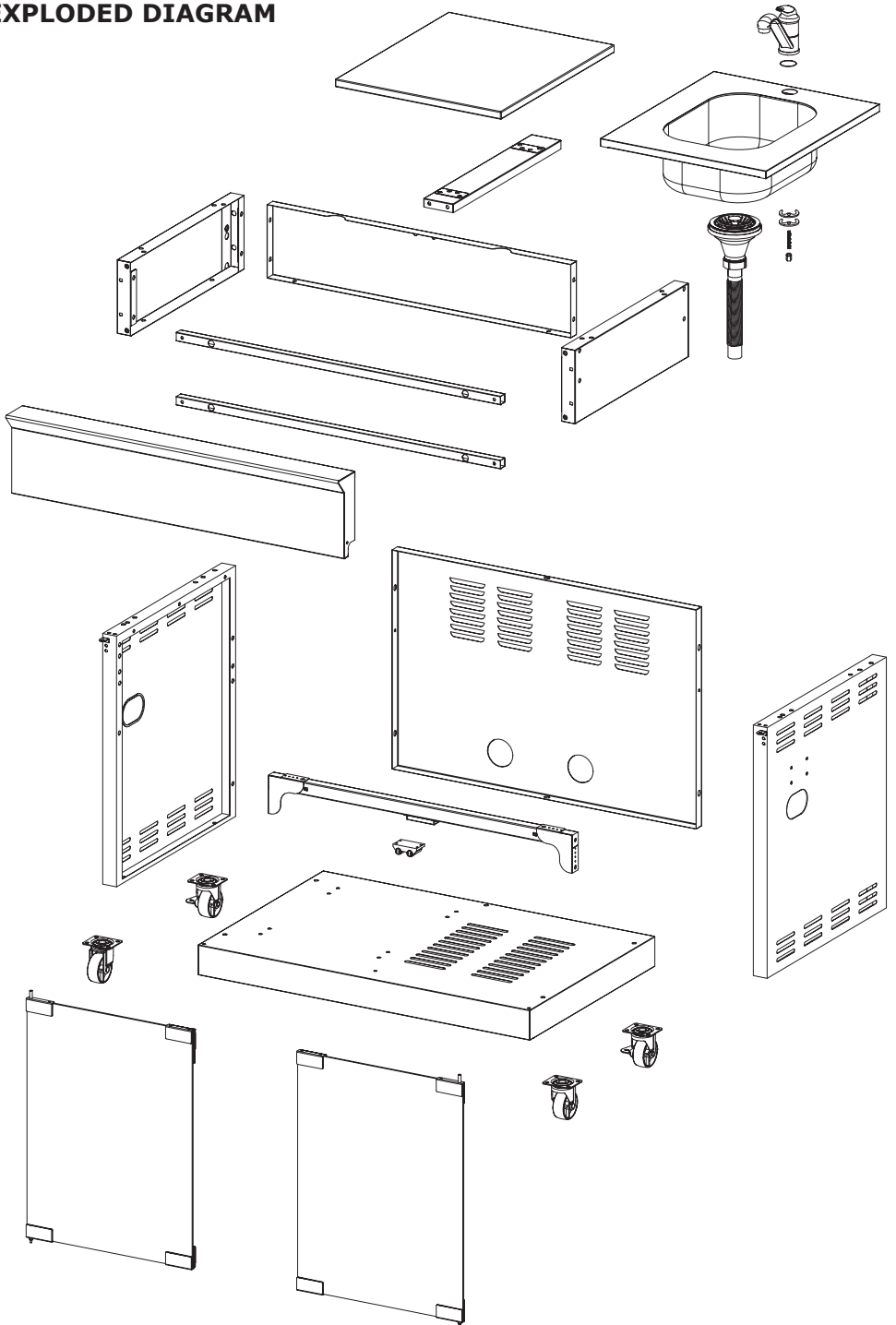
FEATURES

- Marble top with powder coat body
- Glass doors
- Stainless steel sink with WELS flick tap
- 4 Castors (2 locking)
- Dimensions (L 800 x D 900 x H 880mm)
- Freestanding unit
- Connects to either side of Specialist Deluxe Series II BBQs (see instructions page 9)

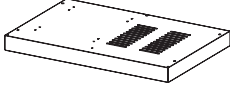
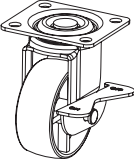
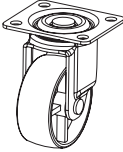
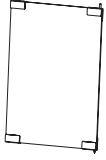

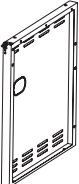
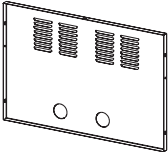

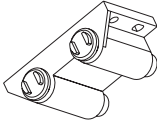
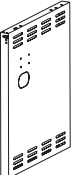
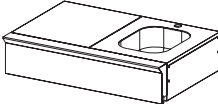



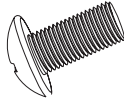
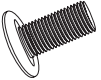
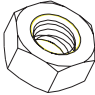
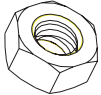
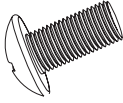
Gasmate® is a registered trademark of: Sitro Group Australia Pty Ltd www.gasmate.com.au
Aber – Hamilton, N.Z. www.gasmate.co.nz

Important: Retain these instructions for future use.

EXPLODED DIAGRAM



PARTS LIST

<p>1. Base Panel Assembly 1pc</p> 	<p>2. Castor with Lock 2pcs</p> 	<p>3. Castor No Lock 2pcs</p> 	<p>4. Right Door Assembly 1pc</p> 
<p>5. Left Door Assembly 1pc</p> 	<p>6. Cabinet Left Side Panel 1pc</p> 	<p>7. Back Panel 1pc</p> 	<p>8. Cabinet Beam Assembly 1pc</p> 
<p>9. Magnet 1pc</p> 	<p>10. Cabinet Right Side Panel 1pc</p> 	<p>11. Sink Body Assy. 1pc</p> 	<p>12. Sink Accessory 1pc</p> 
<p>13. Tap 1pc</p> 	<p>14. Tap Accessories 1pc</p> 	<p>15. M6*12 Screw (black galvanize) 33pcs</p> 	<p>16. M4*10 Screw 4pcs</p> 
<p>17. Nut M4 2pcs</p> 	<p>18. Nut M6 2pcs</p> 	<p>19. M6*15 Screw 4pcs</p> 	

ASSEMBLY INSTRUCTIONS

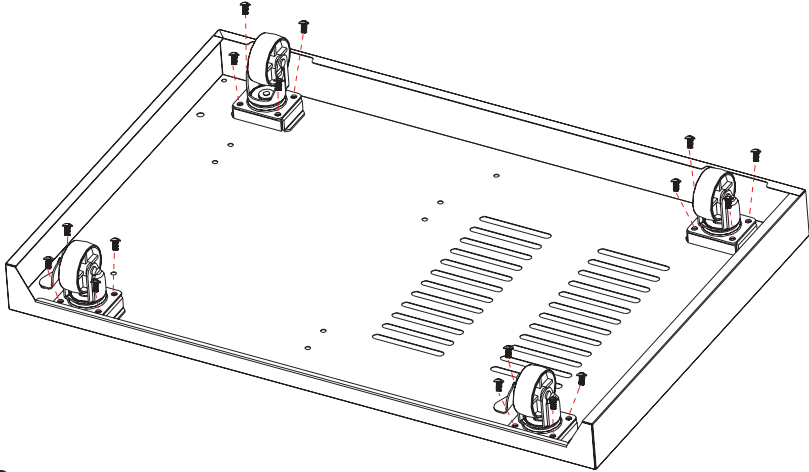
Remove any transit protection material.

Tools Required: Phillips Head Screwdriver & Adjustable Spanner.

STEP 1

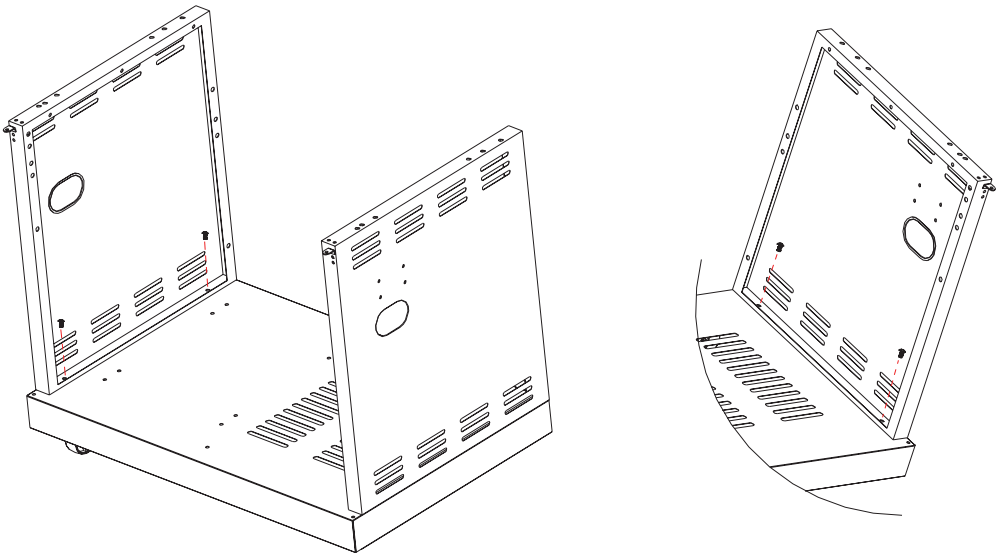
Use M6*12 screw(x16pcs) to fix swivel castor (with lock) x 2pcs and swivel castor (without lock) x 2pcs under the base panel.

Note: Fit the locking Swivel castors at the rear of the base, so the locks can be accessed from the back of the Cart without the skirt panel being in the way.



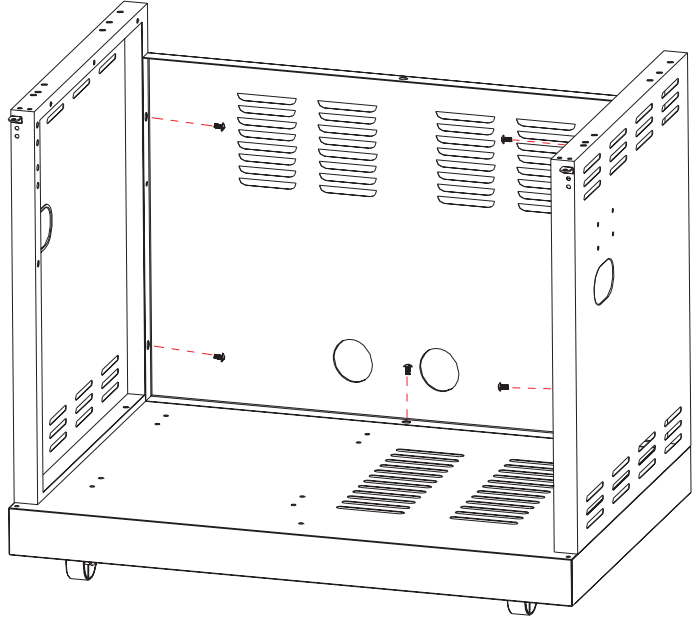
STEP 2

Use M6*12 screw (x4pcs) to fix the cabinet left side panel and cabinet right side panel onto the base panel.



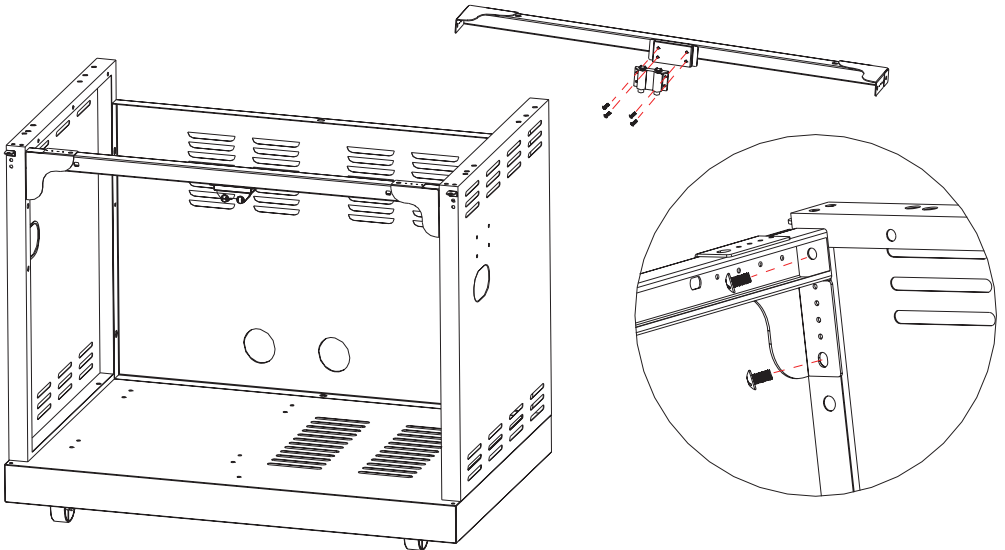
STEP 3

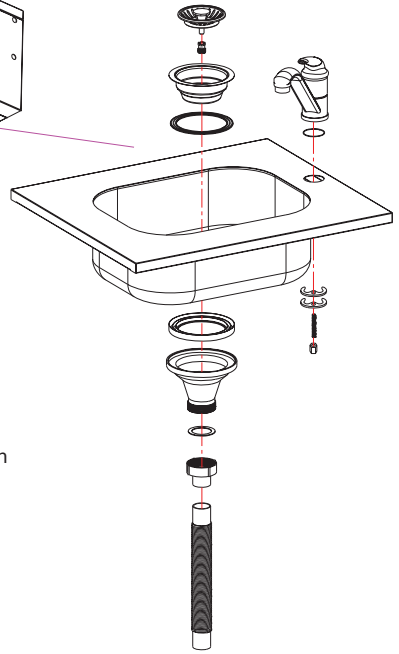
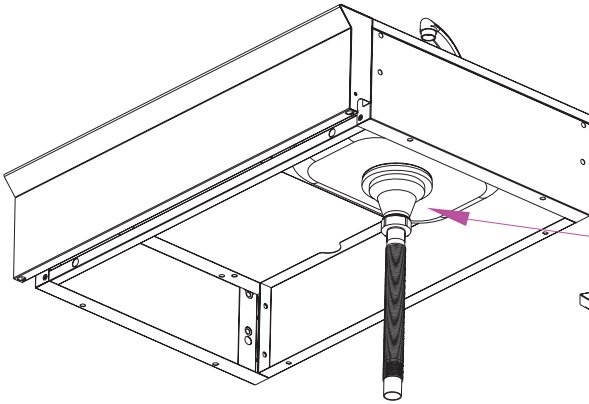
Use M6*12 screw (x5pcs) to fix the back panel onto base panel, cabinet left side panel and cabinet right side panel.



STEP 4

Use M4*10 screw (x4pcs) to fix the magnet to cabinet beam, then use M6*12 screw (x4pcs) to fix the beam between two cabinet side panels, as shown.





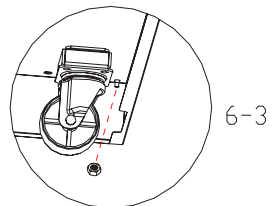
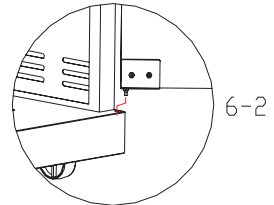
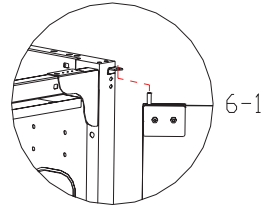
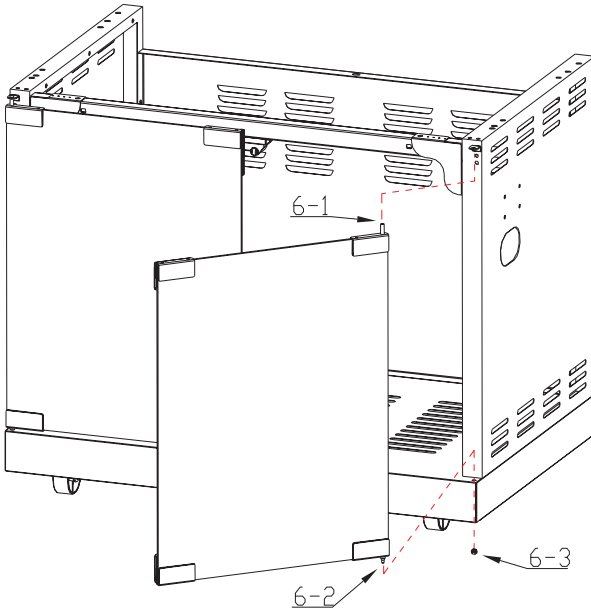
STEP 5

Fix the tap accessories, tap and sink accessories to the sink body asy as shown.

Note: Depending on the preferred configuration the sink location can be moved to the left side by inverting the body assembly. Removing the attaching screws and swapping with the marble top position.

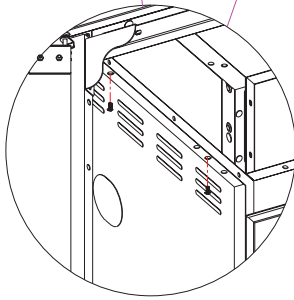
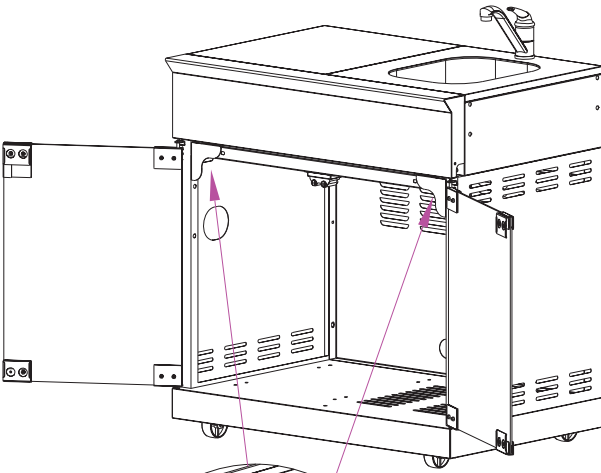
STEP 6

To fit the cabinet doors, insert the fixed upper pin into the bracket as shown in the picture, then insert the bottom pin into the base, and use M4 nut (x2pcs) to fasten the doors, as shown.



STEP 7

Use M6*12 screw (x4pcs) to fasten the sink body assy to cabinet cart as shown.



STEP 8

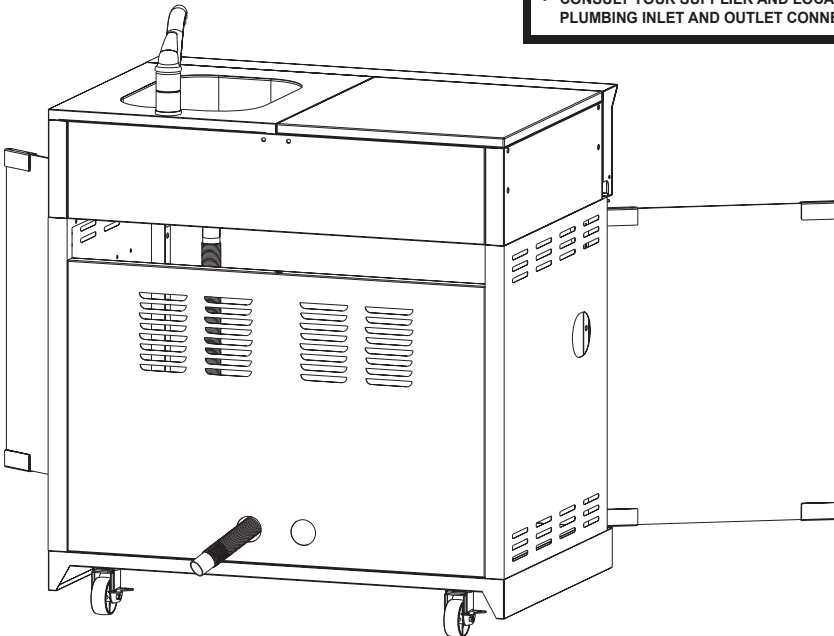
Feed the waste pipe through the back panel hole as shown.



WARNING



- WASTE OUTLET NOT AUTHORISED FOR CONNECTION TO SANITARY DRAINAGE NETWORK/SYSTEM
- CONSULT YOUR SUPPLIER AND LOCAL COUNCIL FOR PLUMBING INLET AND OUTLET CONNECTIONS IF IN DOUBT

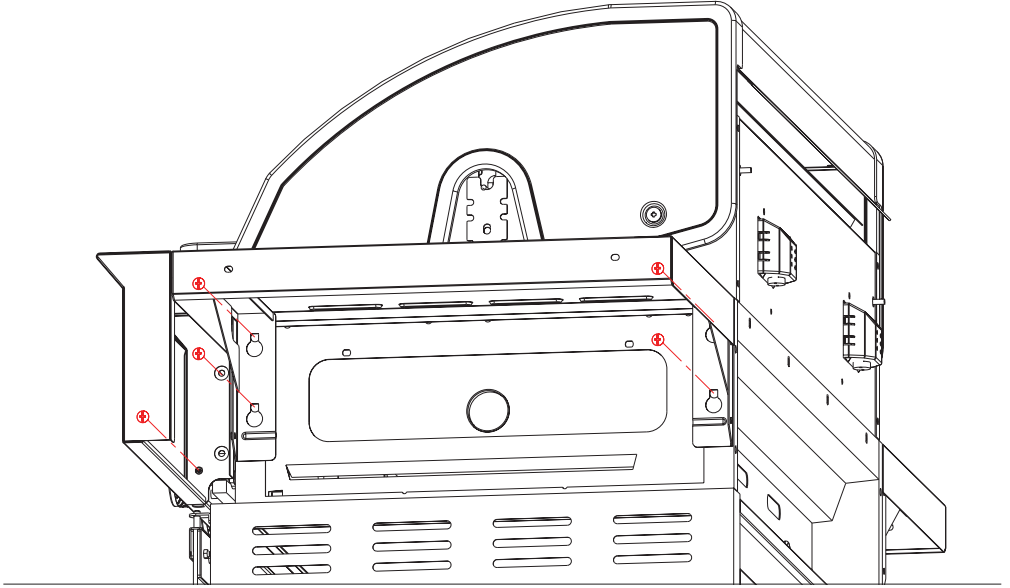


CONNECTION WITH BBQ

OPTION 1 - Sink Module on Right Hand Side of BBQ

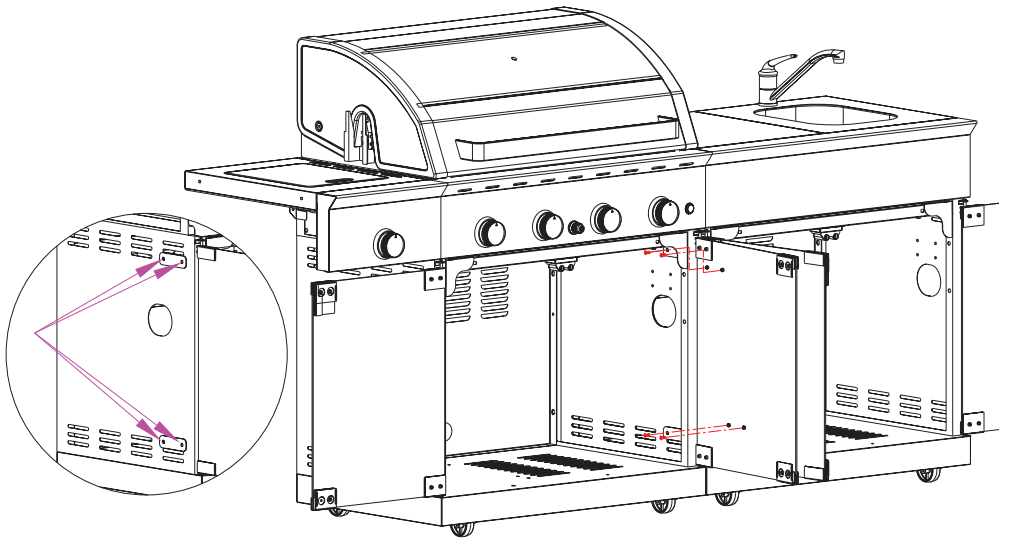
STEP 1

Loosen M4*10 screw (x1pc) and M6*12 screw (x4pcs) to remove the side shelf assembly.



STEP 2

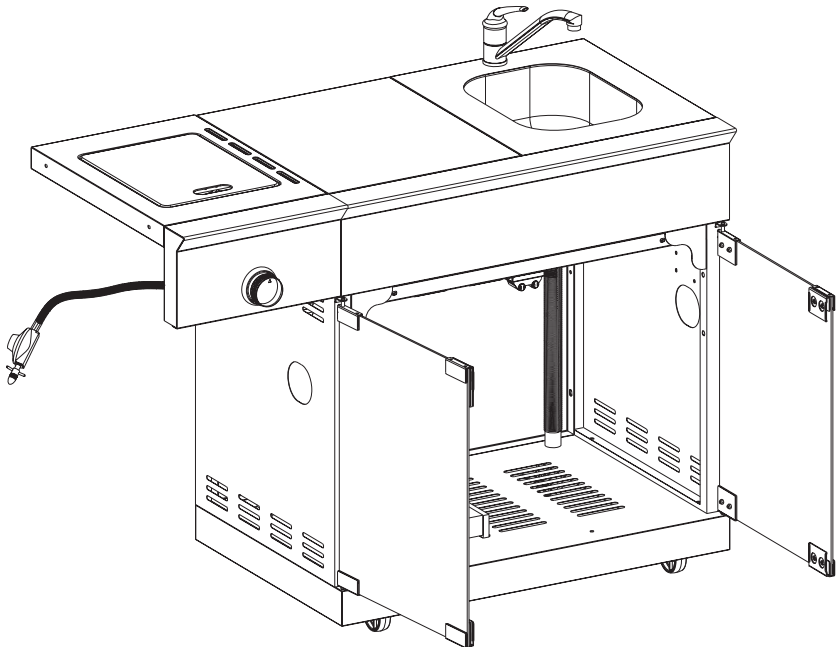
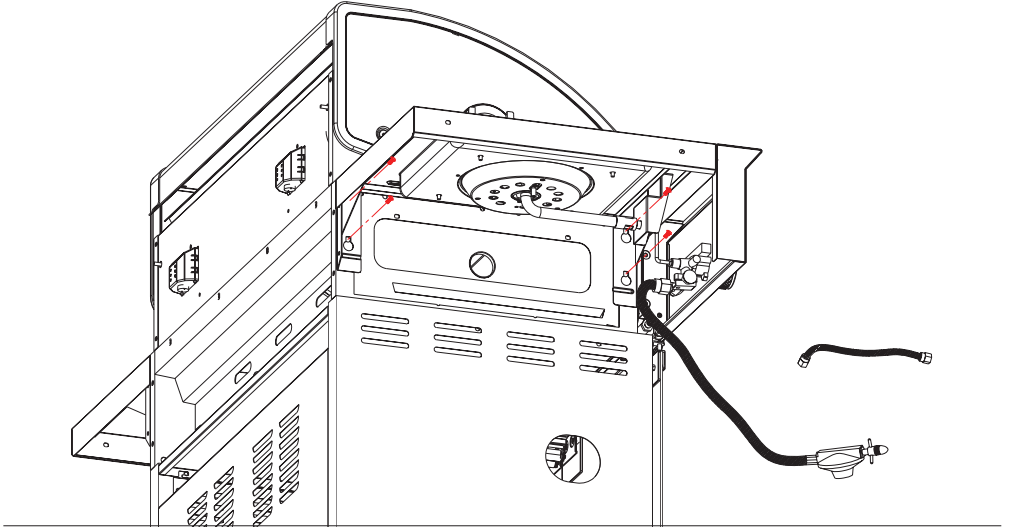
Use M6*15 screw(x4pcs) and Flange M6 Nut (x4pcs) to connect the sink module to the right of the BBQ.



OPTION 2 - Sink Module on Left Hand Side of BBQ

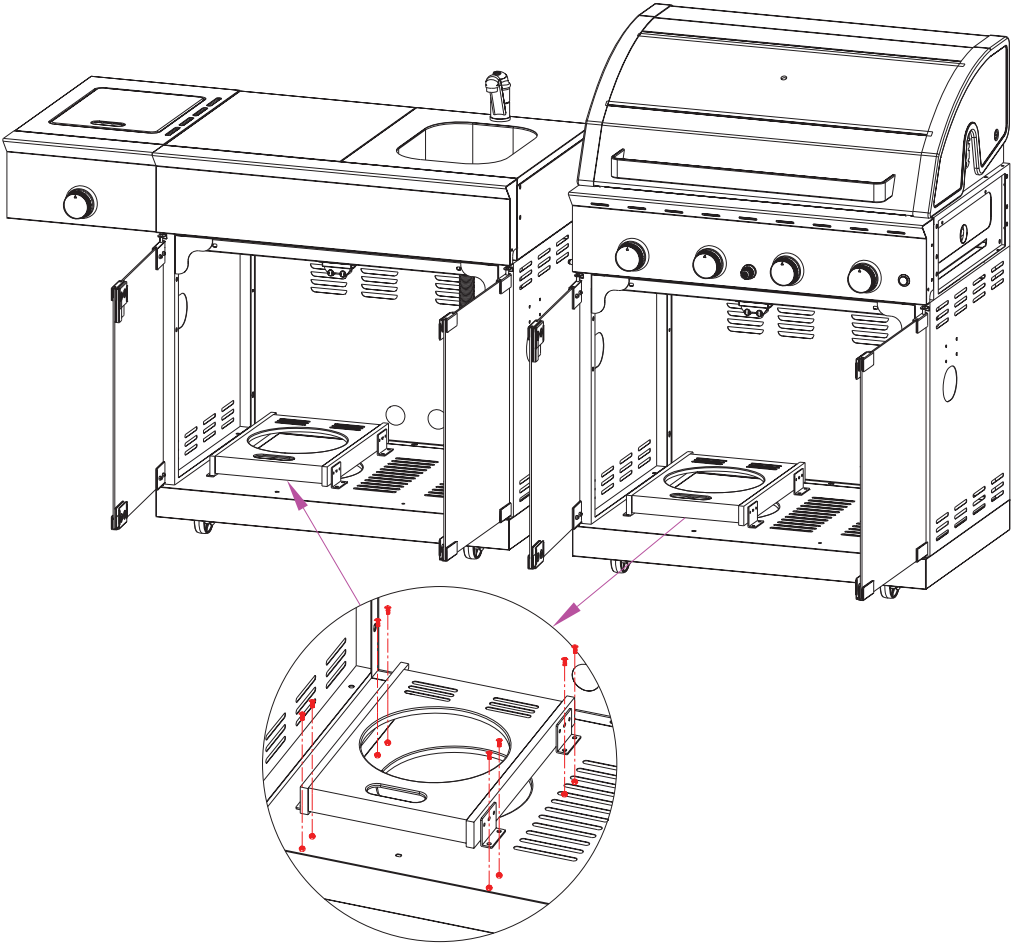
STEP 1

Loosen M4*10 screw (x1pc), M6*12 screw(x4pcs) and side burner hose to remove the side burner assembly. And then use the same screws to attach the side burner assembly to the left side of the sink module again. Leave the side burner hose unattached.



STEP 2

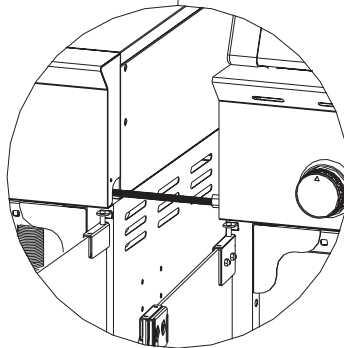
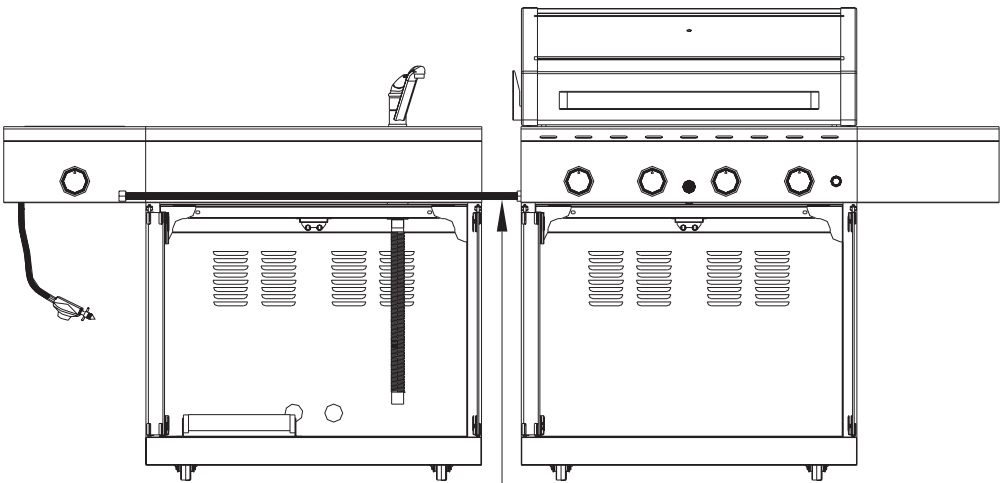
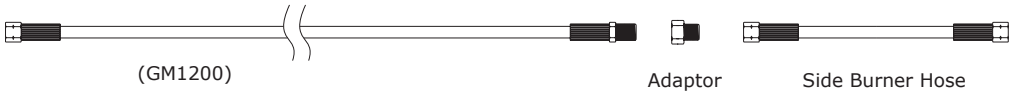
Remove the cylinder slide tray from BBQ and then attach it to the corresponding position inside the sink module's cabinet.



STEP 3

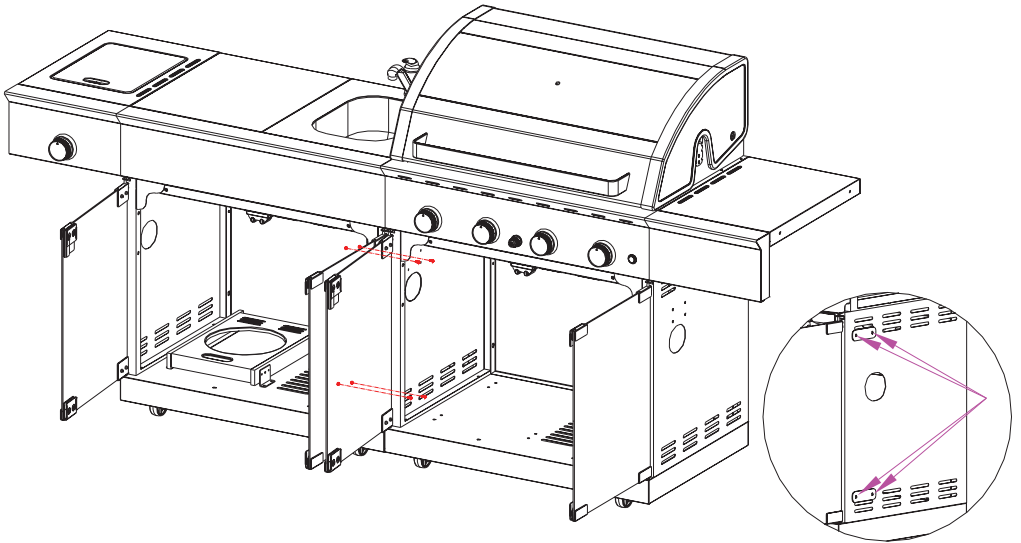
Connect BBQ inlet to the side burner with a 1200mm hose. Obtain a Gasmate GM1200 from your retailer; it comes with 1200mm hose and an adaptor. Join the 1200mm hose to the side burner hose using the adaptor as shown below. Attach the nut on the end of the long hose to the BBQ inlet; pass the hose from inside the cabinet, behind the Sink module's fascia, and through the hole in the right side end of fascia. Attach the other end to the side burner T-piece.

WARNING: Tighten ALL hose connections and leak test before joining the cabinet and BBQ. Leak test as per BBQ instructions.



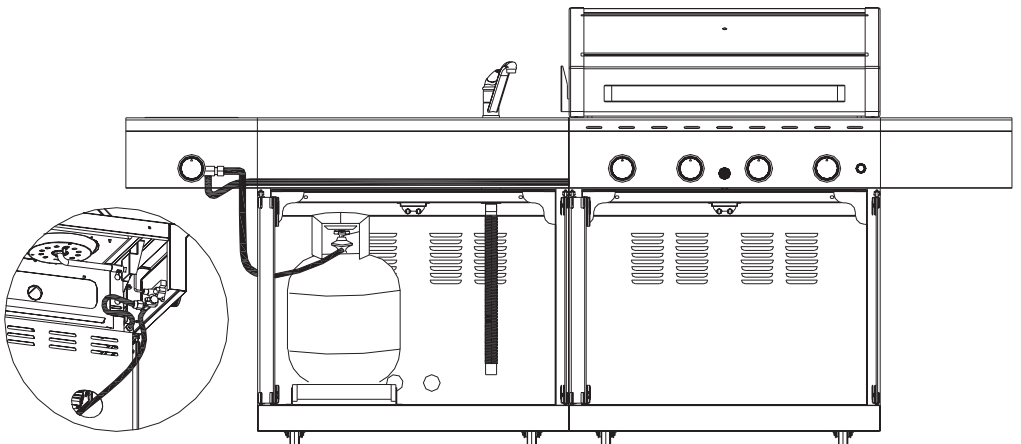
STEP 4

Use M6*16 screw (x4pcs) and Flange M6 Nut (x4pcs) to connect the sink module to the left of BBQ.



STEP 5

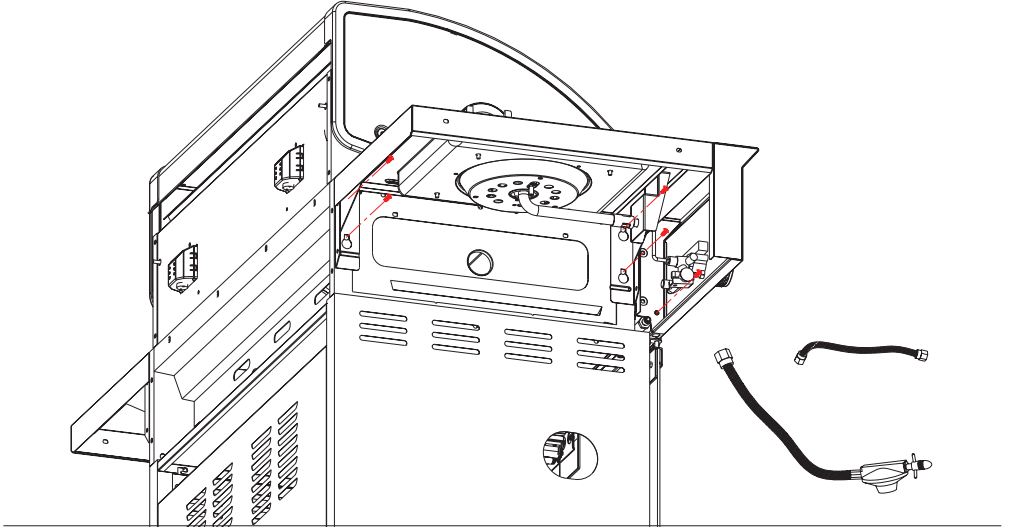
Let the regulator go through the hole in the left side panel of sink module cabinet and connect the regulator to the cylinder placed on the tray inside sink module cabinet. Make sure all connections are leak tested.



OPTION 3 - Sink Module on Left Hand Side of BBQ

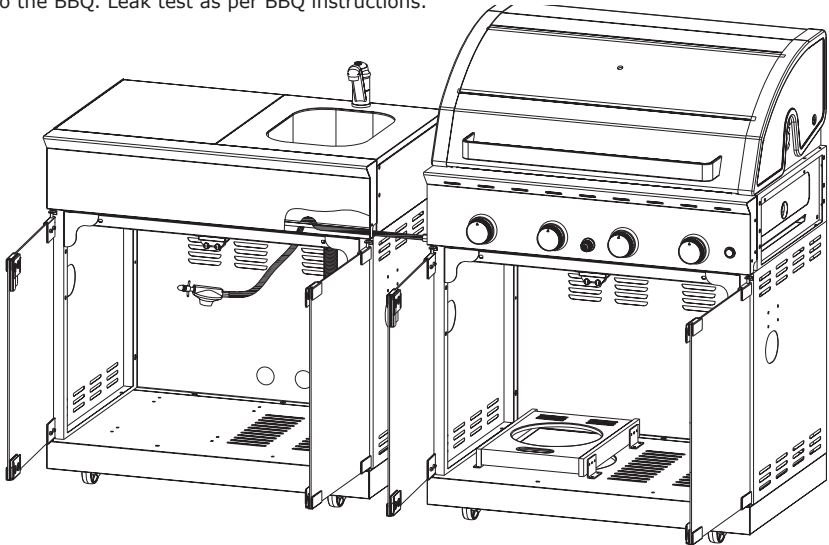
STEP 1

First, remove the side burner hose and the regulator hose from the BBQ. And then loosen M4*10 screw (x1pc), M6*12 screw (x4pcs) and side burner hose to remove the side burner assembly.



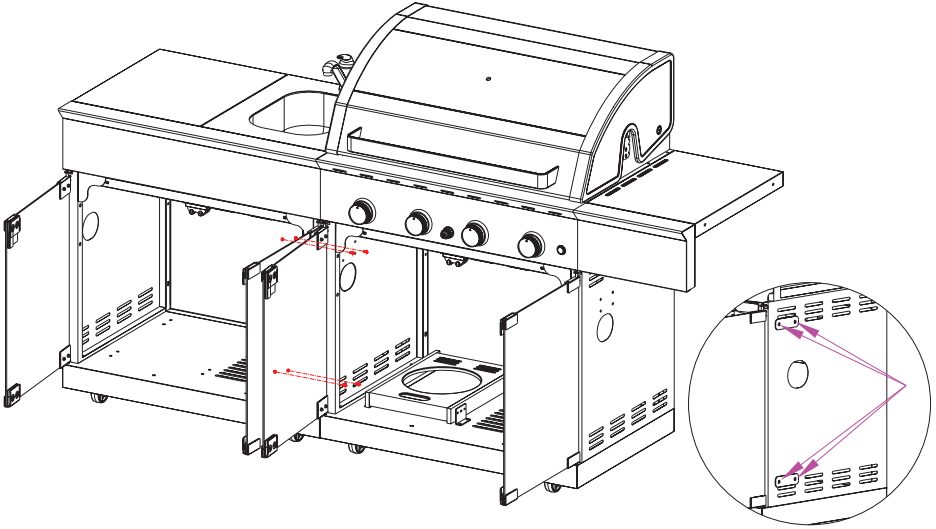
STEP 2

Insert the hose assembly through the hole in the right side of the sink module fascia panel and then connect to the inlet of the BBQ manifold. Tighten the hose connection and leak test before joining the cabinet to the BBQ. Leak test as per BBQ instructions.



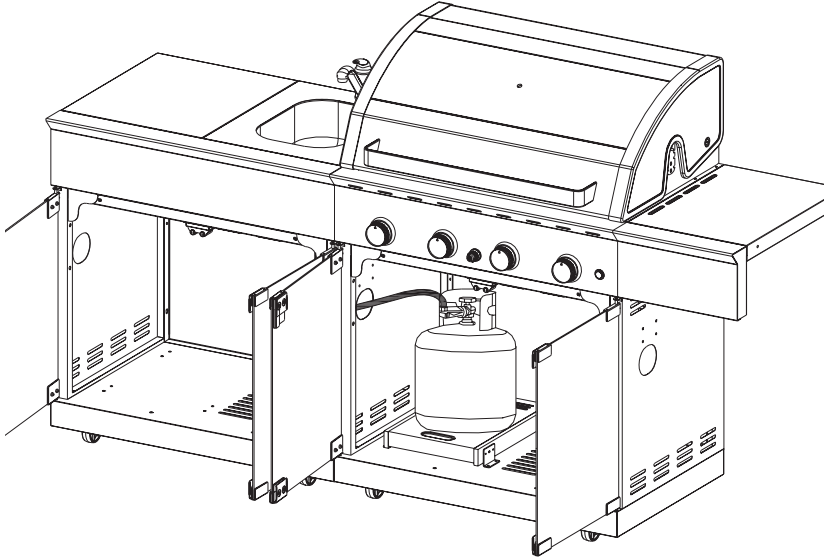
STEP 3

Use M6*16 screw (x4pcs) and Flange M6 Nut (x4pcs) to connect the sink module to the left of BBQ.



STEP 4

Pass the regulator through the holes in the side panels and connect to the cylinder inside the BBQ cabinet.



For any queries or assistance call
Customer Service
Australia Only
1300 174 876

Hours of operation: Mon to Fri 8.30am - 5.30pm EST

Do not return to place of purchase.

Keep your purchase receipt, this will be required to make any claims under the 12 month warranty.