



Specialist Deluxe Series II Storage Module BQ8302



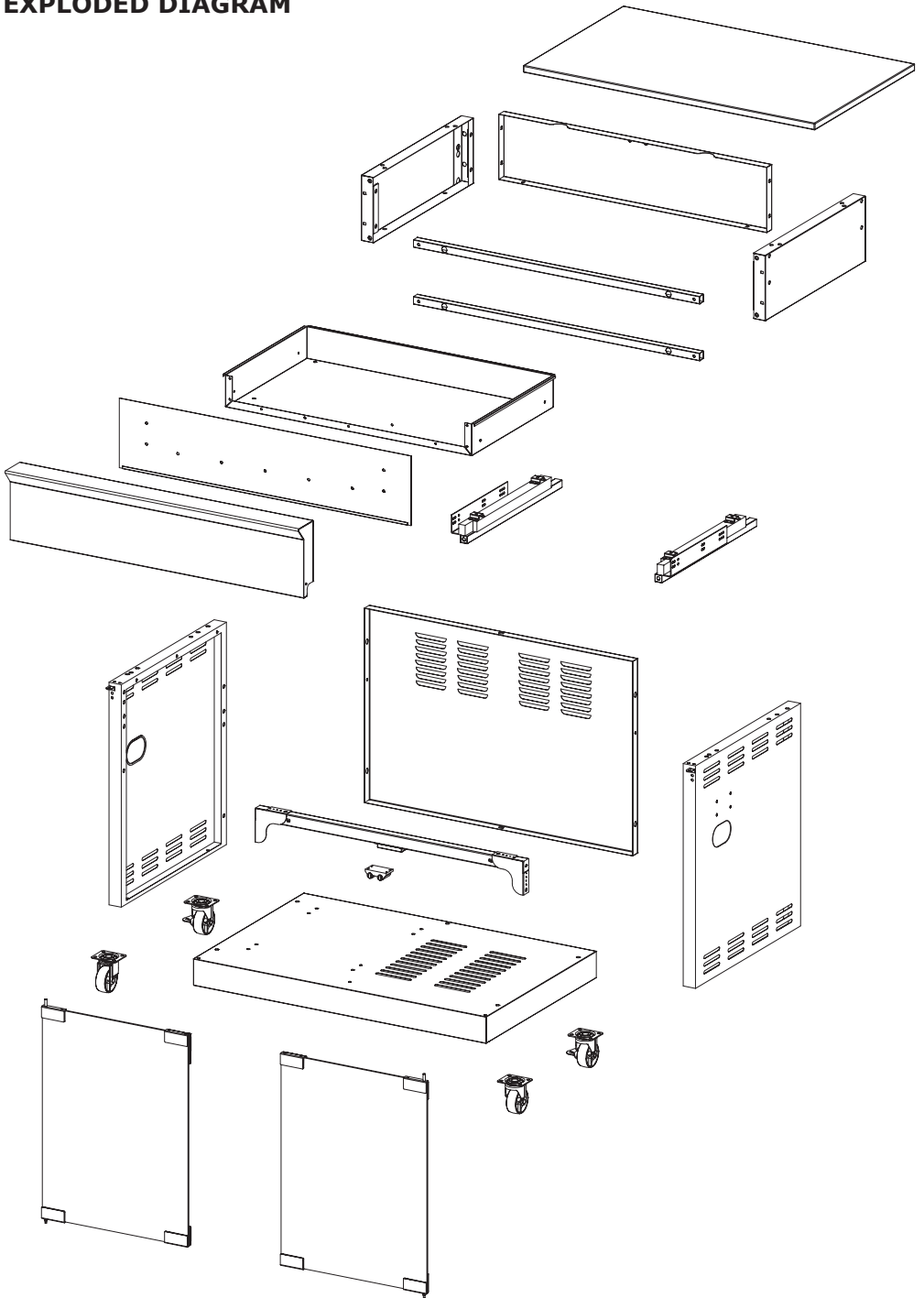
FEATURES

- Marble top with powder coat body
- Glass doors
- Full width stainless steel front drawer
- 4 Castors (2 locking)
- Dimensions (L 800 x D 900 x H 880mm)
- Freestanding unit
- Connects to right side of Specialist Deluxe Series II BBQs (see instructions page 9)

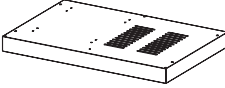
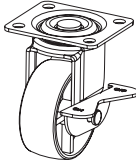
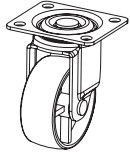

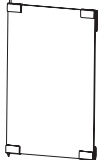

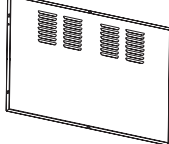

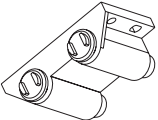
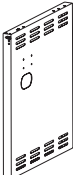
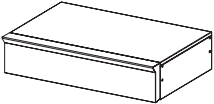
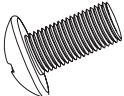
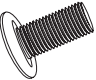
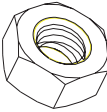
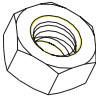
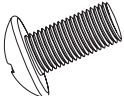
Gasmate® is a registered trademark of: Sitro Group Australia Pty Ltd www.gasmate.com.au
Aber – Hamilton, N.Z. www.gasmate.co.nz

Important: Retain these instructions for future use.

EXPLODED DIAGRAM



PARTS LIST

<p>1. Base Panel Assembly 1pc</p> 	<p>2. Castor with Lock 2pcs</p> 	<p>3. Castor No Lock 2pcs</p> 	<p>4. Right Door Assembly 1pc</p> 
<p>5. Left Door Assembly 1pc</p> 	<p>6. Cabinet Left Side Panel 1pc</p> 	<p>7. Back Panel 1pc</p> 	<p>8. Cabinet Beam Assembly 1pc</p> 
<p>9. Magnet 1pc</p> 	<p>10. Cabinet Right Side Panel 1pc</p> 	<p>11. Storage Body 1pc</p> 	<p>12. M6*12 Screw (black galvanize) 33pcs</p> 
<p>13. M4*10 Screw 4pcs</p> 	<p>14. Nut M4* 2pcs</p> 	<p>15. Nut M6* 4pcs</p> 	<p>16. M6*15 Screw 4pcs</p> 

ASSEMBLY INSTRUCTIONS

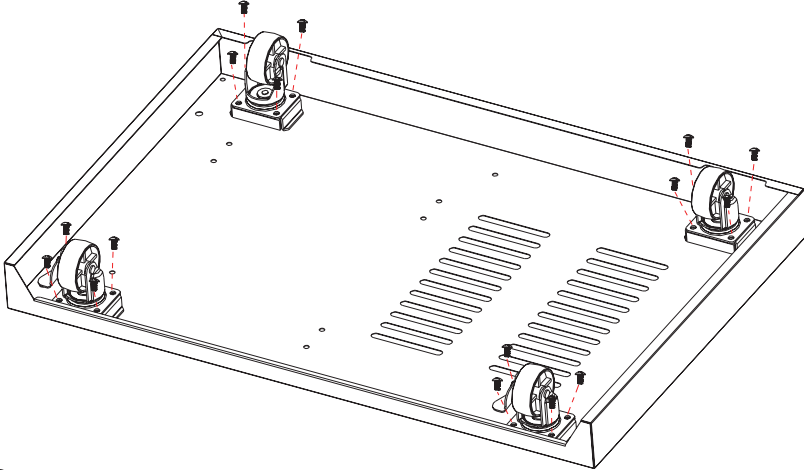
Remove any transit protection material.

Tools Required: Phillips Head Screwdriver & Adjustable Spanner.

STEP 1

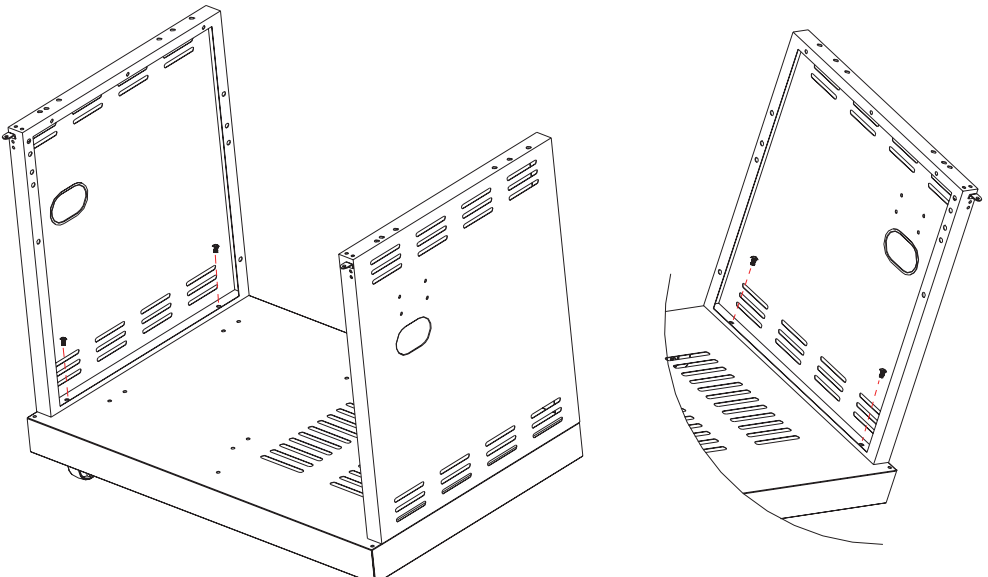
Use M6*12 screw(x16pcs) to fix swivel castor(with lock) x 2pcs and swivel castor (without lock) x 2pcs under the base panel.

Note: Fit the locking Swivel castors at the rear of the base, so the locks can be accessed from the back of the Cart without the skirt panel being in the way.



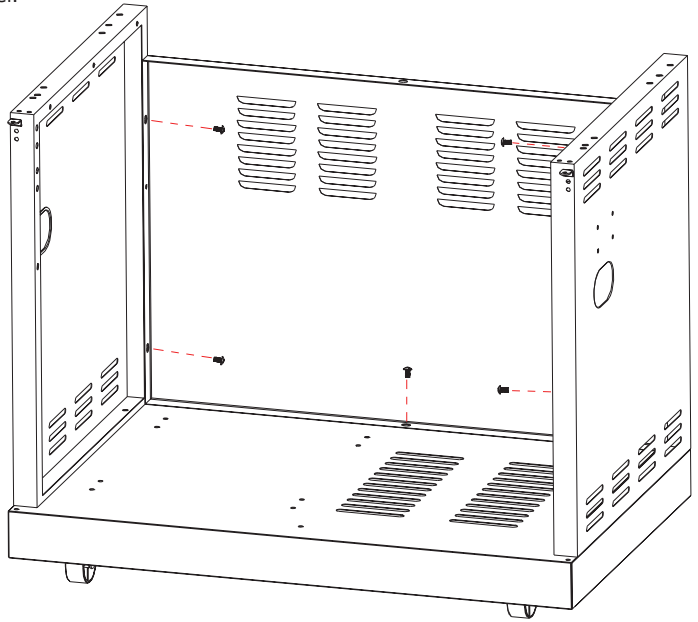
STEP 2

Use M6*12 screw(x4pcs) to fix the cabinet left side panel and cabinet right side panel onto the base panel.



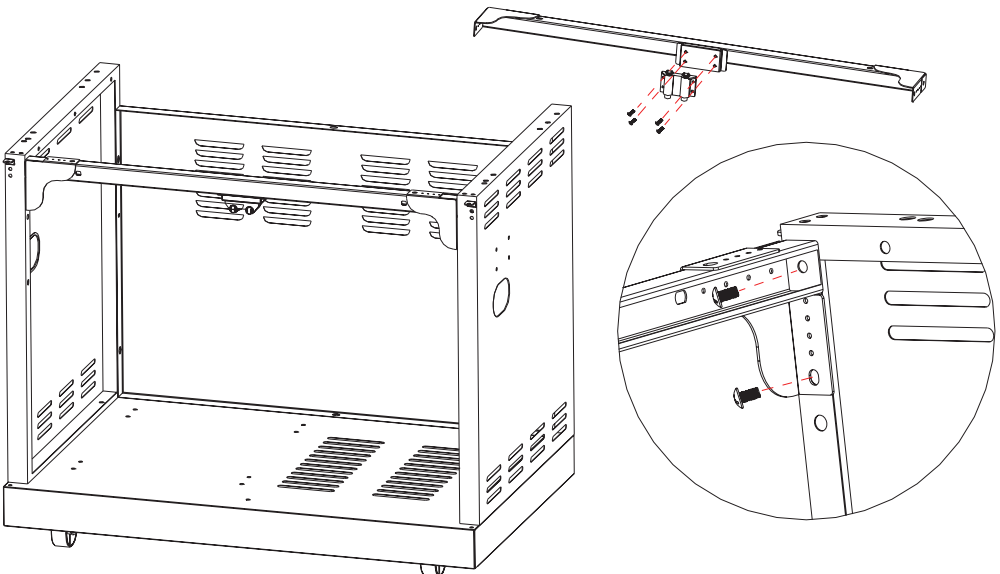
STEP 3

Use M6*12 screw (x5pcs) to fix the back panel onto base panel, cabinet left side panel and cabinet right side panel.



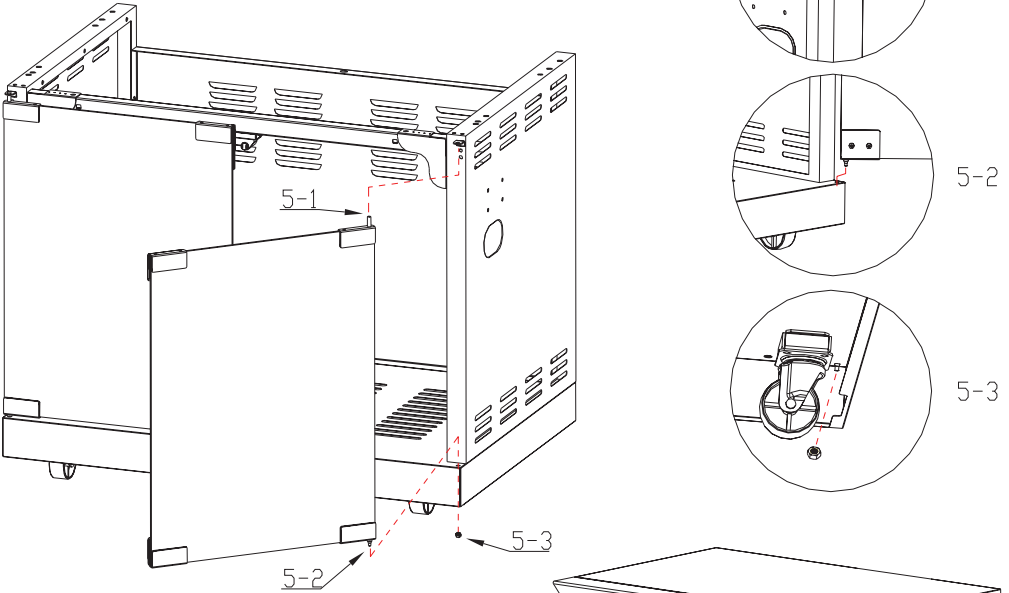
STEP 4

Use M4*10 screw (x4pcs) to fix the magnet to cabinet beam, then use M6*12 screw(x4pcs) to fix the beam between two cabinet side panels, as shown.



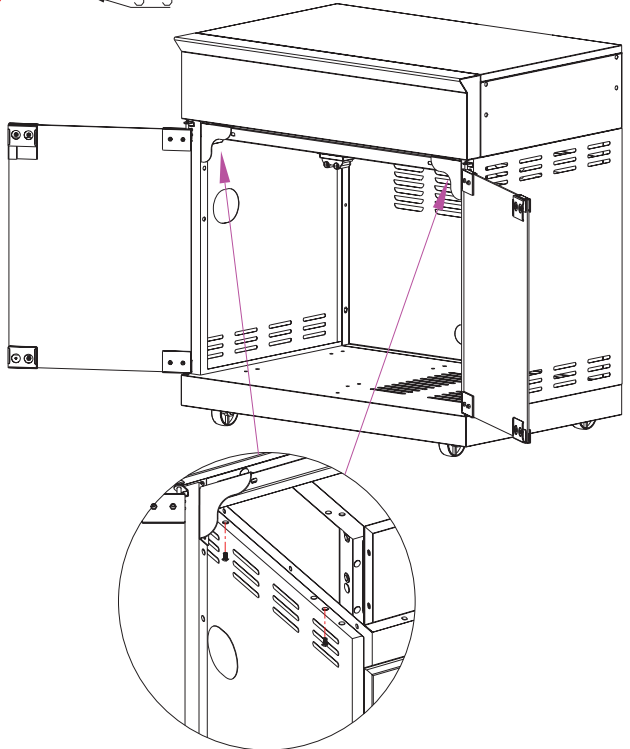
STEP 5

To fit the cabinet doors, insert the fixed upper pin into the bracket as shown in the picture, then insert the bottom pin into the base, and use M4 nut(x2pcs) to fasten the doors, as shown.



STEP 6

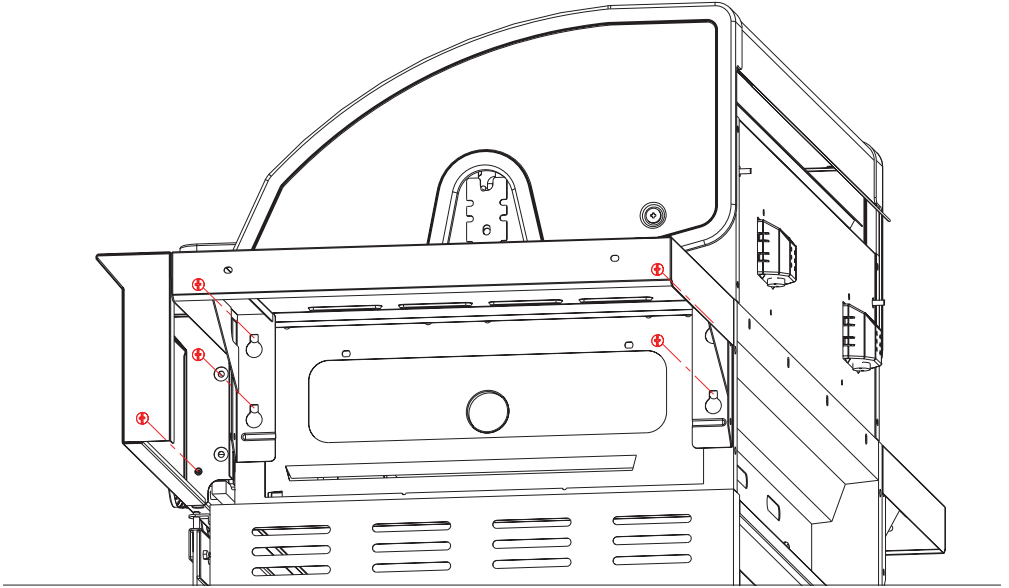
Use M6*12 screw (x4pcs) to fasten the storage body assy to cabinet cart as shown.



CONNECTION WITH BBQ

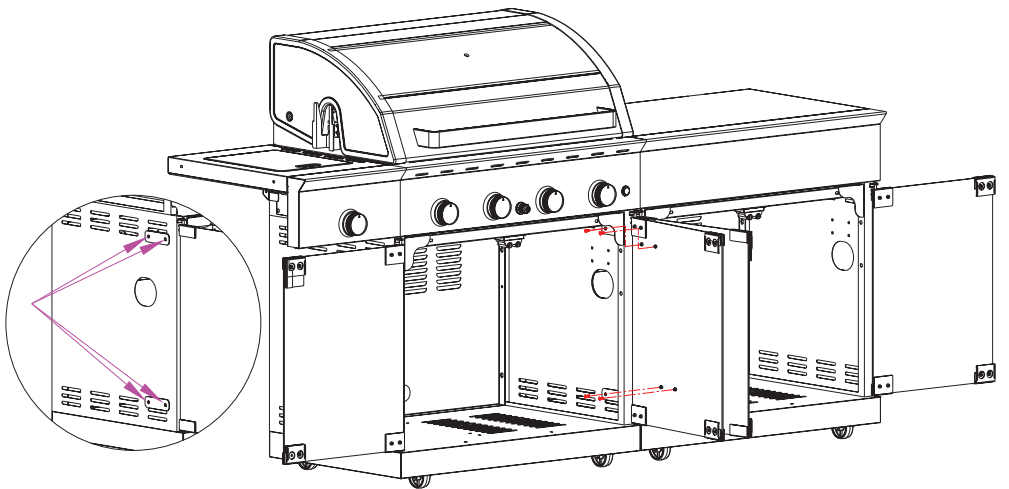
STEP 1

Loosen M4*10 screw (x1pc) and M6*12 screw (x4pcs) to remove the side shelf assembly.



STEP 2

Use M6*15 screw (x4pcs) and M6 Nut (x4pcs) to connect the storage module to the right of the BBQ.



For any queries or assistance call



Customer Service
(Australia Only)

1300 174 876

Hours of operation:
Monday to Friday 8.30am - 5.30pm EST

Do not return to place of purchase.
Keep your purchase receipt, this will be required to
make any claims under the 12 month warranty.

Gasmate[®]