



BAR TABLE ELECTRIC HEATER

Model No. EH240

Maximum output 1600W infrared heating elements

70cm Diameter tempered glass table top

Bar table height - 110cm

High efficiency carbon fibre element

Stainless steel base

Safety tip-over switch

Suitable for outdoor entertaining areas

IP24 Approved



Important: Retain these instructions for future use

Gasmate® is a registered trademark of:
Sitro Group Australia Pty Ltd www.gasmate.com.au
Aber Living, N.Z www.gasmate.co.nz

IMPORTANT SAFEGUARDS

To reduce the risk of personal injury or damage to property, follow basic safety precautions when using this product, including the following:

READ THESE INSTRUCTIONS CAREFULLY BEFORE USING THE PRODUCT. KEEP THE INSTRUCTIONS HANDY FOR FUTURE REFERENCE.

Important: Always operate the Product from a power source of the same Voltage, Frequency and Rating as indicated on the Product Identification Plate.

- Close supervision is necessary when any Electrical Product is used or operated near children or infirm persons; DO NOT leave the Product unattended when in use; young children should be supervised to ensure that they DO NOT play with the Product.
- DO NOT operate any product which has been/ or appears damaged in any manner or after the Product malfunctions, or is dropped.
- If it is necessary to use an Extension Cord with this Product, prior to its use, make sure the extension Cord is safe to use, capable of handling the electrical load of the Product (refer to Product Identification Plate) and has been checked and tested by your electricity supplier or qualified technician.
- DO NOT use this heater with a programmer, timer or other device that switches the heater on automatically, since a fire risk exists if the heater is covered or positioned incorrectly.
- Always arrange the Cord so that it cannot be pulled or tripped over.
- DO NOT operate this Product immediately below an electrical Socket Outlet.
- Always ensure a clearance of 1.5m to any wall or combustible surface.
- Avoid operating the Product on long pile carpet or uneven surfaces. Use only on flat, level and stable surfaces.
- DO NOT disconnect the Product from the Power Supply by pulling on the Cord. Never move, carry or hang the Product by the Cord.
- DO NOT operate this Product in the presence of explosive and/or flammable liquid or fumes such as where aerosol (spray) Products are being used or where Oxygen is being administered.
- Avoid leaving the heater unattended when in use.
- Switch OFF and UNPLUG from Power Outlet when not in use, allow to cool before shifting the Product from one location to another, and before cleaning.
- When storing the Product, gently wind the Cord around the Cord Wrap if provided, otherwise loosely coil the cord. Avoid wrapping the Cord around the Product.
- DO NOT operate or place any part of this Product on or near any hot surfaces such as a gas flame, electric element, or near a heated oven, or let the Cord hang over the edge of a table or bench.
- Avoid touching hot surfaces, use Handles or Knobs.
- Avoid contacting moving parts. Keep hands, hair, and clothing, well away from the Product while it is in operation.
- DO NOT use the Product for other than its intended use as described in these instructions. This Product is intended for Normal Domestic Household Use only.

- The power supply must be supplied through a residual device (RCD) having a tripping current not exceeding 30mA.
- Only connect this heater to a socket-outlet having an earthing contact.
- DO NOT use the heater during inclement weather, rain or damp conditions.
- DO NOT operate the heater with a damaged cord or plug, or if heater malfunctions, or has been damaged in any manner.
- Never operate this heater when you are tired, drinking alcohol, taking drugs or if taking medication that causes drowsiness.
- This heater is not intended for use by persons (including children) with reduced physical, sensory or mental capabilities, or lack of experience and knowledge, unless they have been given supervision or instruction concerning use of the heater by a person responsible for their safety.
- Pets and animals must be kept away from the work area so as to avoid tripping dangers.
- Always arrange the Cord so that it cannot be pulled or tripped over.
- Never modify this heater as damage and injury may occur, and this will void your warranty.
- Check for damaged parts before operating this heater.
- Keep power cord away from heat, oil, solvents and sharp edges.
- Check power cord for signs of damage before each use. If damaged do not use.
- Power cord must only be replaced by an authorised service facility.
- Use only a '3' core (earth pin) extension cord with this heater.

BEFORE FIRST USE

UNPACK THE PRODUCT

- Carefully unpack the Product making sure you keep all the packing material until all the parts of the Product have been checked and the Product has been used. We recommend keeping all the packing material in a safe place for re-use at any time you wish to repack the Product for storage.
- To remove any dust that may have accumulated during unpacking, simply wipe the exterior of the Product with a clean, soft, slightly dampened (not wet) cloth, then allow to thoroughly dry. Do not use any abrasive cleaners as they may scratch the surface.

SERVICE & SAFETY

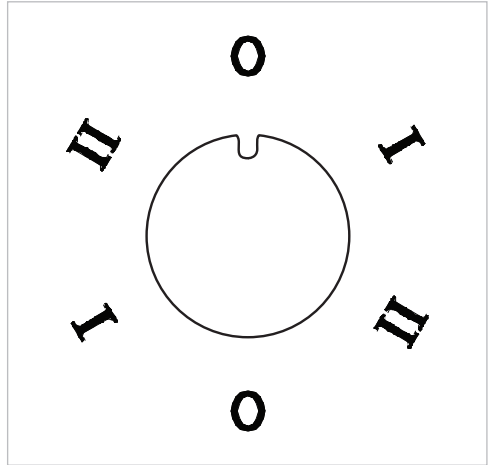
- This Product is shipped to you in a factory sealed carton. Should the Product be damaged, dropped, or malfunctions in any way, or its Flexible Cord is damaged, contact customer service or return to place of purchase.
- Always operate the Product as described in these instructions.

OPERATING INSTRUCTIONS

Note: This heater requires a 1.5m clearance on all sides.

1. Always operate a Free Standing Heater on a dry, stable and level floor surface, well away from curtains, drapes and soft furnishings. **DO NOT** operate this Product immediately below an electrical Socket Outlet.
2. Plug the Power Cord into a Power Outlet and turn Power Outlet ON
3. To turn heater ON, rotate knob
 - O** is off
 - I** is 800W (1 element)
 - II** is 1600W (2 elements)
4. To turn heater OFF, rotate knob to **O**
Note: Knob can be rotated clockwise or anti clockwise for easy use.
5. When unattended, we recommend you make sure the Product is turned OFF and DISCONNECTED from the Power Supply.
6. Be sure the Product is turned OFF, DISCONNECTED from the Power Supply and allowed to cool before moving.
7. When storing the Product, loosely coil the cord. It is important to allow the Product to cool before storage.

TO TURN HEATER ON/OFF



IMPORTANT

- Always operate the Product from a power source of the same Voltage, Frequency and Rating as indicated on the Product Identification Plate.
- Avoid any possibility of a fire hazard by never covering, positioning or arranging of any material near, or restrict the airflow of the Heater. This Heater is not intended to be used as clothes or towel dryer.
- If used outdoors ensure heater power cord is connected to an outdoor power point.
- The power supply must be supplied through a residual device (RCD) having a tripping current not exceeding 30mA.

Care & Cleaning

1. After each use, make sure the Product is turned OFF and DISCONNECTED from the Power Supply. Let the Product cool after use before moving, cleaning or storage.
2. Clean the exterior of the Product by wiping with a slightly dampened (not wet) soft cloth. Avoid the use of scouring pads, harsh detergents, solvents, polish, abrasive or aerosol cleaners as they may damage the surfaces of the Product. Dry with a clean, soft cloth before storage, or reconnecting to the Power Supply.
3. When storing the Product, loosely coil the Power Cord. Avoid wrapping the Power Cord around the Product. Store in a cool, dry place. NEVER move, carry or hang the Product by the Power Cord.



FOR YOUR SAFETY

- **CAUTION:** To reduce risk of electric shock, DO NOT IMMERSE the Product in any liquid, or use the Product near baths, basins, swimming pool, shower area or other vessels containing water or other liquids, or when standing in or on damp or wet surfaces. If any Electrical product falls into water, UNPLUG it immediately; DO NOT REACH INTO THE WATER. Do not immerse or expose the Flexible Cord or Plug to rain, moisture or any liquid.
- **IMPORTANT:** Prior to reconnecting the Power Supply, the complete Product should be inspected by a qualified technician.
- **WARNING:** To avoid overheating the Power Supply Cord, completely unwind all the cord, including from the cord storage area of the heater, if fitted.
- **CAUTION:** This Product should not be used/operated in a confined space. Always use/operate this Product well away from walls and curtains. A fire may occur when this Product is in operation, if it is covered, or is close to flammable materials, such as curtains, drapes or wall coverings, etc.
- **CAUTION:** To reduce the risk of shock or damage to the Product, DO NOT disassemble. No user serviceable parts inside.
- **CAUTION:** DO NOT immerse the Product, its Flexible Cord or Plug in water or any other liquid.
- **IMPORTANT:** In some Products the replacement by the user of the Flexible Cord is not intended. Special Tools are required to disassemble the Product or to replace the Cord, or a special Cord is required.

ELECTRICAL DATA

IMPORTANT

This product is fitted with a sealed electrical connection plug that is compatible with the heater, the mains supply for Australia and meets the requirements of international standards. This heater must be connected to a supply voltage that is equal to that stated on the rating label. If the mains connection plug or power cord becomes damaged it must be replaced with a complete assembly that is identical to the original, and this must be replaced by an authorised service centre. Always follow the Australian requirements for connection to the mains supply. If in doubt always consult a qualified electrician.

TECHNICAL SPECIFICATION

Model	EH240
Voltage	220-240V AC 50Hz
Input Wattage	800~1600W
I.P Rating	IP24

Heater specifications can be found on the data label.

ASSEMBLY PREPARATION

1. Carefully unpack the Product making sure you keep all the packing material until all the parts of the Product have been checked and the Product has been used. We recommend keeping all the packing material in a safe place for re-use at any time you wish to repack the Product for storage. If you wish to dispose of the packaging material dispose of in an environmentally responsible manner.
2. To assemble this Product you will require a "Phillips" head screw driver.
3. We recommend that you lay a sheet or blanket on firm flat ground to assemble this Product.
3. Read this instruction manual fully and carefully before you start assembly. Keep this instruction manual in a safe place for future if required.

PARTS LIST

NO.	PART NAME
1	Screw Foot M6*30
2	Screw M6*20
3	Washer
4	Screw M8*120
5	Wheel
6	Base
7	Screw M6*10
8	Base Bracket
9	Base Cover
10	S/S Tube
11	Spring Washer Ø6.2
12	Foot Bracket
15	Cord Clip
16	Screw Board
17	Table Top
18	Table Fixture
19	Top Steel Board
20	Screw M6*8

ASSEMBLY

BASE ASSEMBLY FIG. A

1. Turn the Base upside down and attach both Wheels (5) and then screw in both Feet (1) and adjust them to the same level as the Wheels.
2. Turn the base the correct way up and place the Base Cover (9) on. Make sure the 3 holes in the Base Cover match the Base.
4. With the Base and Base Cover on its side push M8*120 through the Base, Base Cover. Now slide the Tube (10) over the screw. Now attach the Foot Ring (12) with this screw.
5. Repeat step 4 for the other 2 Tubes (10).

HEATER ASSEMBLY FIG. B & FIG. C

6. Lay the Heater Body on its side next to the assembled base. Feed the power cord through the large hole in the assembled base.
7. Slide the heater body up to the assembled base and attached with the Base Bracket (3) and screw (2). Make sure the Base Brackets (3) match up with the holes on the Base Cover and assembled Base.
8. Pull the Power Cord out fully through the assembled base and clip into the Cord Clip (15).

FIG. A

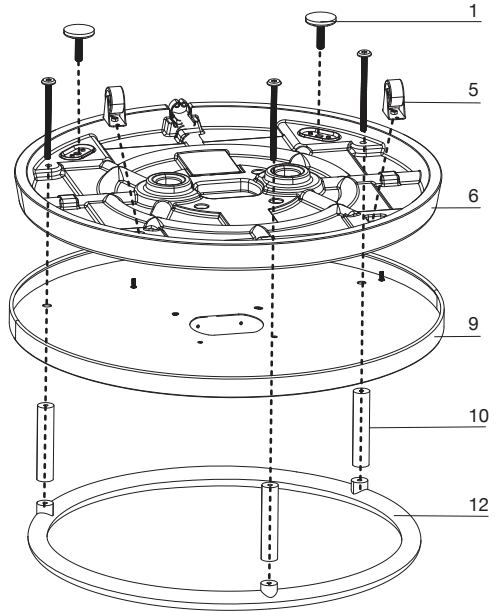


FIG. B

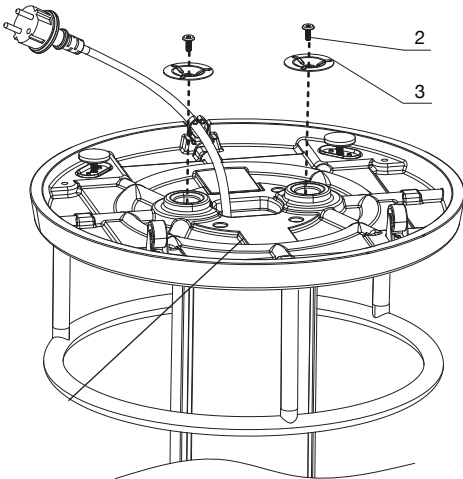


FIG. C

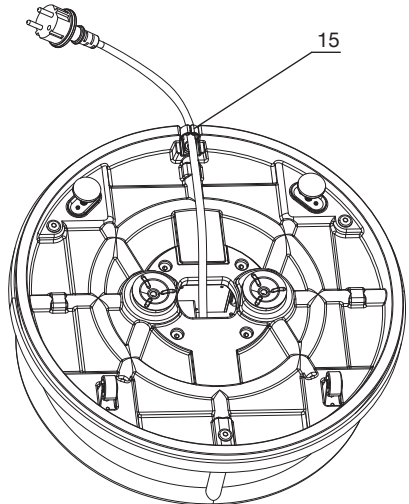
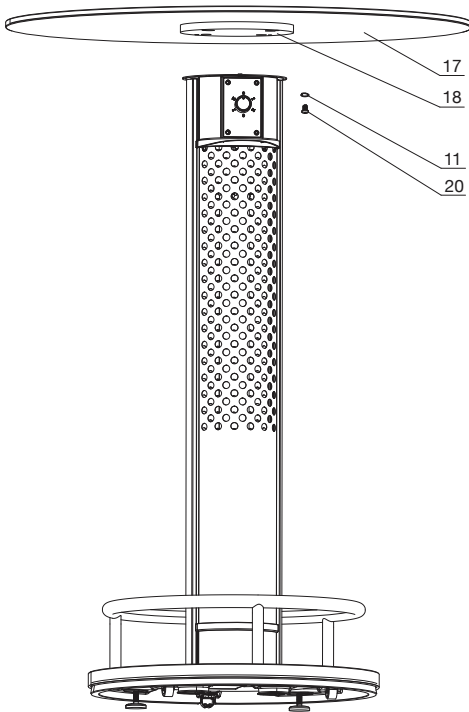


Fig. A Assembled

ASSEMBLY

FIG. D



GLASS TOP ASSEMBLY FIG. D

9. Stand the Heater up the right way on its base. If needed adjust the Feet (1) to stop the Heater rocking.
10. Place Glass Top (17) on top of the Heater Body. Make sure the screw holes on Table Mount (18) line up with the holes on top of the heater.
11. Attach the Glass Top onto the Heater with 4 Screws (M6*8) and Spring Washers $\varnothing 6.2$.

For any queries or assistance call



Customer Service

Australia Only

1300 174 876

Hours of operation: Monday to Friday 8.00am - 5.00pm EST

Email: sales@sitro.com.au

Do not return to place of purchase.

Keep your purchase receipt, this will be required to make any claims under the 12 month warranty.