

# Gasmate®

## ODYSSEY **BBQ** TROLLEY

Model No. BA1038



- Models suitable for mounting on trolley:  
BQ1060 / BQ1061 / BQ1065 (sold separately, not included)
- Flat fold design and tough construction
- BBQ mounting points (selected models only)
- BBQ Tool Hooks
- Gas Cylinder mounting frame
- Supplied with mounting kit to secure the BBQ to the Trolley
- Material: Aluminium & Polypropylene
- Maximum Weight Rating: 50Kgs
- Weight: 9Kg (excl BBQ)
- Dimensions: 1155 x 485 x 110mm (Folded)  
930 x 500 x 680mm (Assembled)

**For any queries or assistance call  
Customer Service (Australia Only)**

**📞 1300 174 876**

Hours of operation: Monday to Friday 8.30am - 5.30pm EST

**Do not return to place of purchase.**

Keep your purchase receipt, this will be required to  
make any claims under the 12 month warranty.

---

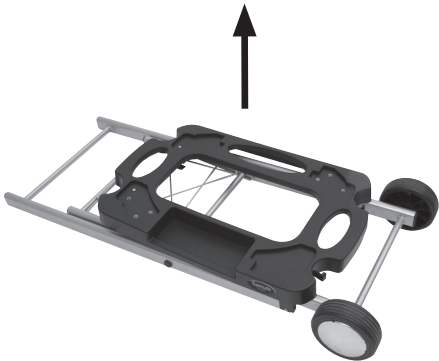
**Important: Retain these instructions for future use.**

---

# STEP BY STEP INSTRUCTIONS

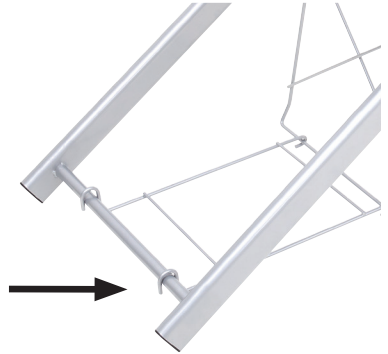
## Step 1

Raise trolley from its folded position.



## Step 2

Ensure that the Cylinder Mounting Frame is secured to the axel assembly.



## Step 3

Locate the BBQ Platform securing brackets to the trolley frame.



## Step 4

Secure BBQ to Platform using mounting bolts as supplied.

