

Gasmate®

ODYSSEY STAND

Model No. BA1036



- Stand for Gasmate Odyssey 1 Portable BBQ
– Model No. BQ1060 (sold separately, not included)
- Sturdy aluminium frame
- Lightweight and portable
- Collapsible for easy storage and transport
- Folding legs for flat storage
- Convenient wheels

**For any queries or assistance call
Customer Service (Australia Only)**

 **1300 174 876**



Hours of operation: Monday to Friday 8.30am - 5.30pm EST

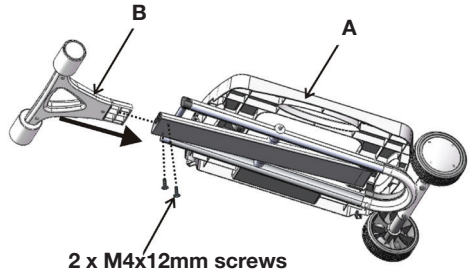
Do not return to place of purchase.

Keep your purchase receipt, this will be required to
make any claims under the 12 month warranty.

Important: Retain these instructions for future use.

PARTS LIST

Part	Description	QTY
A	Stand	1
B	Foot Support	1
	Screw Driver	1
	Screw M4 x 12mm	2

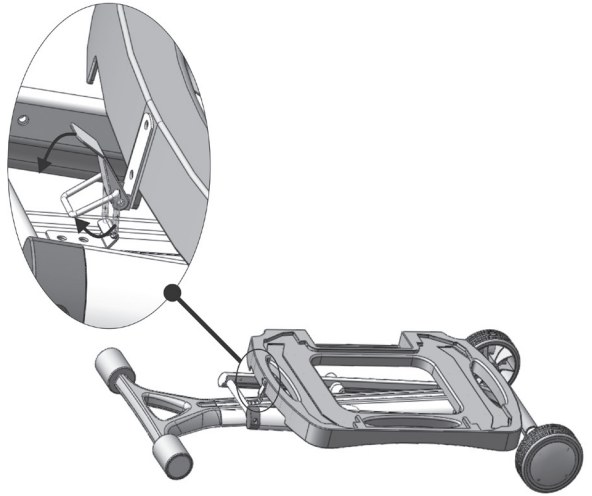


Step 1

Slide the leg/handle into the frame and secure using 2x M4x12mm screws

Step 2

Undo the catch as shown



Step 3

Raise the trolley and latch the wheel leg as shown

