

Gasmate®

ODYSSEY TROLLEY

Model No. BA1037



Trolley for
ODYSSEY¹ and ODYSSEY²
(BBQ not included)

- Trolley for Gasmate Odyssey 1 and 2 Portable BBQs – Model No. BQ1060 and BQ1061 (both sold separately, not included)
- Sturdy and lightweight frame made from powder coated steel
- Screen discreetly hides gas cylinder and large storage area
- Gas cylinder locating cut-out
- Integrated BBQ tool hooks
- Convenient wheels

For any queries or assistance call
Customer Service (Australia Only)

 **1300 174 876**

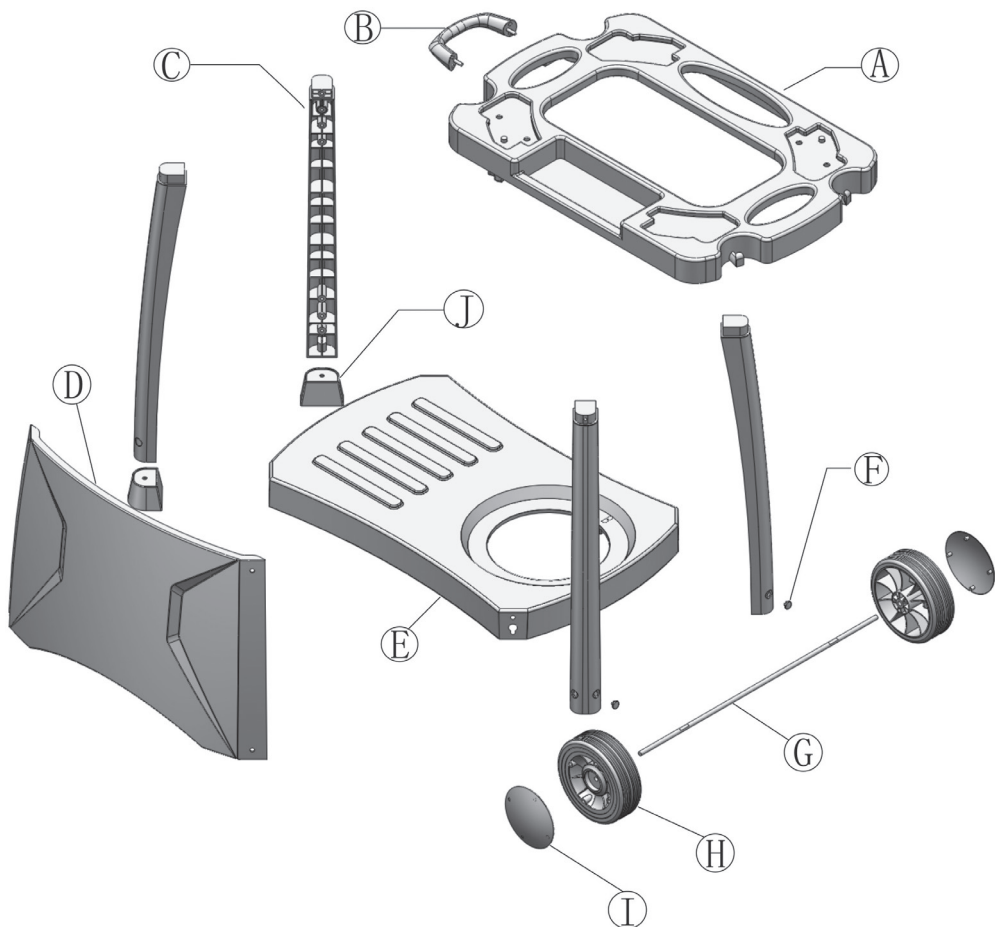
Hours of operation: Monday to Friday 8am - 5pm EST

Do not return to place of purchase.

Keep your purchase receipt, this will be required to make any claims under the 12 month warranty.

Important: Retain these instructions for future use.

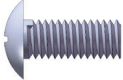




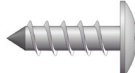


EXPLODED DIAGRAM

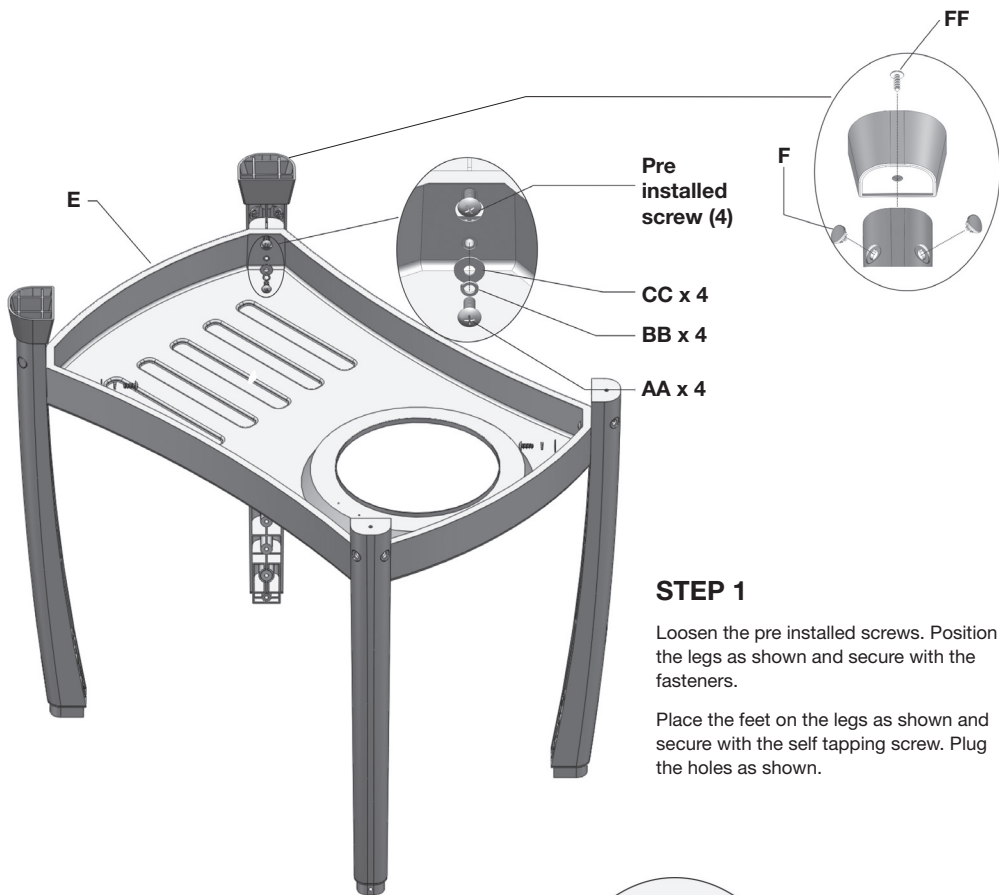


PARTS LIST

Part	Description	QTY
A	Top Panel	1
B	Handle	1
C	Leg	4
D	Front Panel	1
E	Bottom Panel	1
F	Leg Plugs	6
G	Axle	1
H	Wheel	2
I	Hub Cap	2

HARDWARE

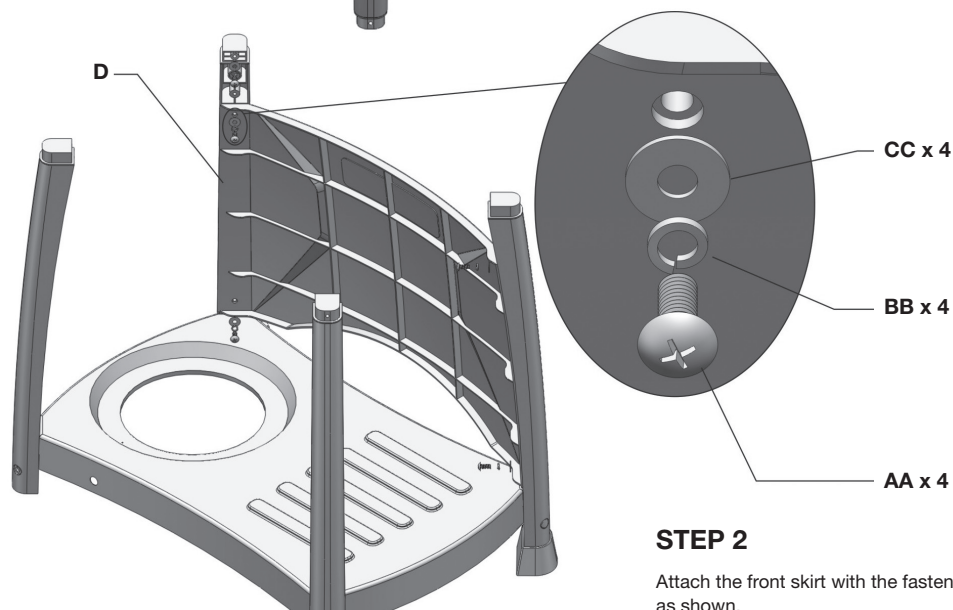
AA : 12PCS M6 x 15 	BB : 12PCS M6 	CC : 16PCS M6 
DD : 2PCS M8 	EE : 2PCS M6 	FF : 2PCS 
GG : 1PC Screwdriver 	HH : 1PC Spanner 	



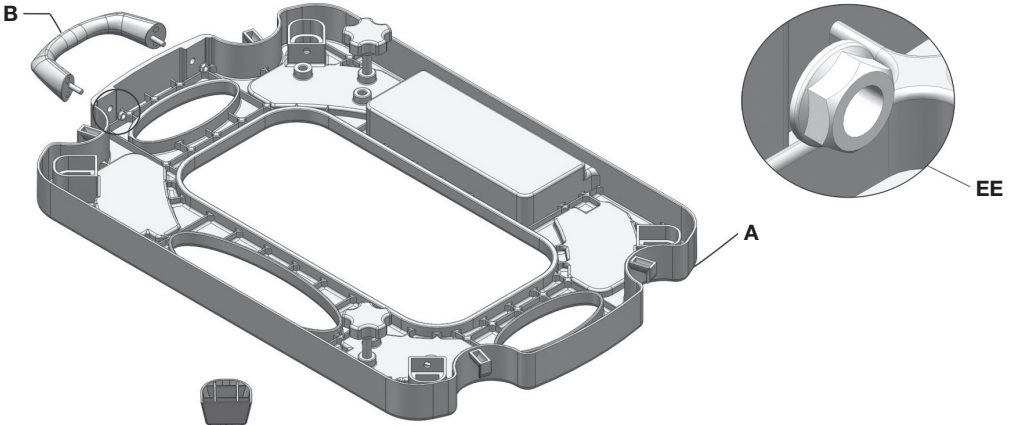
STEP 1

Loosen the pre installed screws. Position the legs as shown and secure with the fasteners.

Place the feet on the legs as shown and secure with the self tapping screw. Plug the holes as shown.

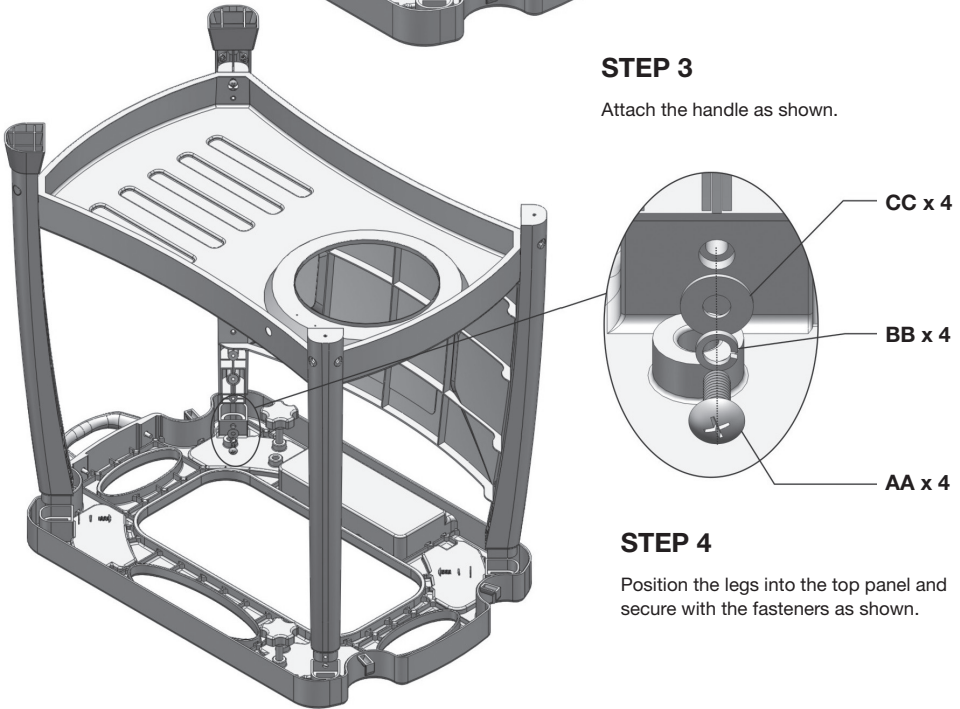


Attach the front skirt with the fasteners as shown.



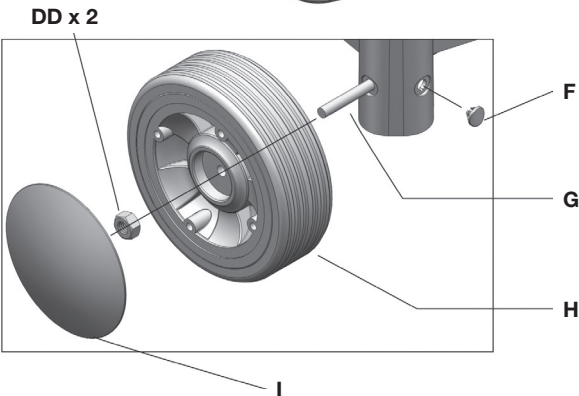
STEP 3

Attach the handle as shown.



STEP 4

Position the legs into the top panel and secure with the fasteners as shown.



STEP 5

Locate the axle through the legs as shown, attach the wheels using the nuts then push on the hub caps. Plug the holes as shown.