

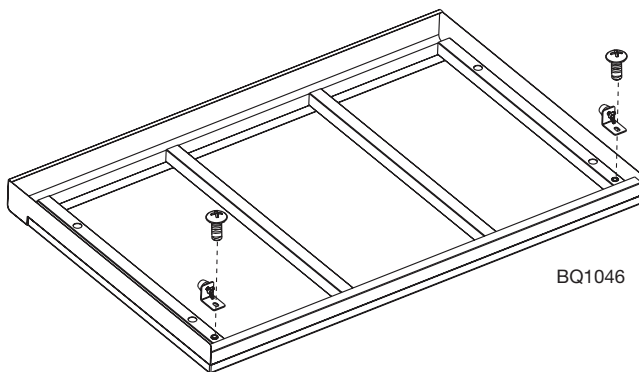
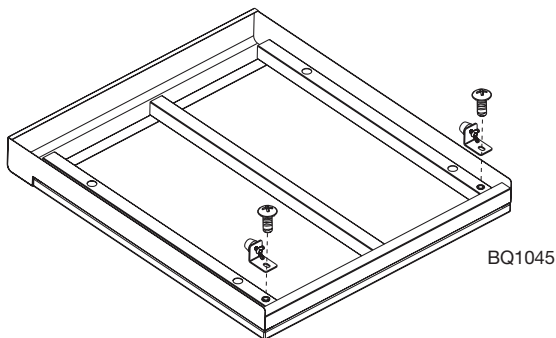
Gasmate®

PLATINUM III FRIDGE MARBLE TOP

FITTING TOP TO FRIDGE

Model No. BQ1045 & BQ1046

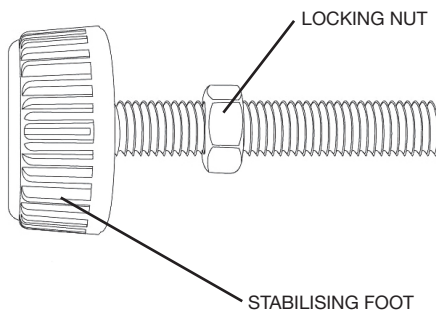
Rest the Frame top onto the fridge, with the front fascia overhanging at the front. Push the frame backwards until the front of the frame catches under the front of the fridge. Attach the brackets to the underside of the frame using the screws provided (as shown below). And tighten the thumb screws until the rubber stops push against the back of the fridge locking the frame into place.



ADJUSTING FRIDGE HEIGHT

Model No. BQ1045 & BQ1046

1. Lay fridge on its back, remove all feet and replace with feet and nuts provided.
2. Place Marble Top onto fridge as per top instructions.
3. If the overall combined unit is too low unscrew each of the 4 stabilising feet so that the combined unit is the same height as the BBQ and modules.
4. Check combined unit is level.
5. Lock the feet by screwing the locking nut up to the underside of the fridge body.



Important: Retain these instructions for future use.