

PLATINUM III

The Gasmate Platinum III Series

Allows you to create your own stunning outdoor cooking and entertaining area




Available at
BUNNINGS
warehouse

Take This Brochure to the Special Orders Desk to place an order

PLATINUM III KITCHEN

INCLUDED: GASMATE PLATINUM III BBQ, STORAGE MODULE, SINK MODULE, ROTISSERIE KIT AND VINYL COVER

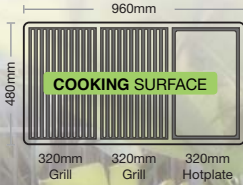
I/N 3171289
MODEL NO.
BQ1080KIT

 #304 GRADE STAINLESS STEEL BBQ AND MODULES

 SUPPLIED FULLY ASSEMBLED FOR QUICK AND EASY INSTALLATION

 INCLUDES ROTISSERIE KIT AND PROTECTIVE VINYL COVER

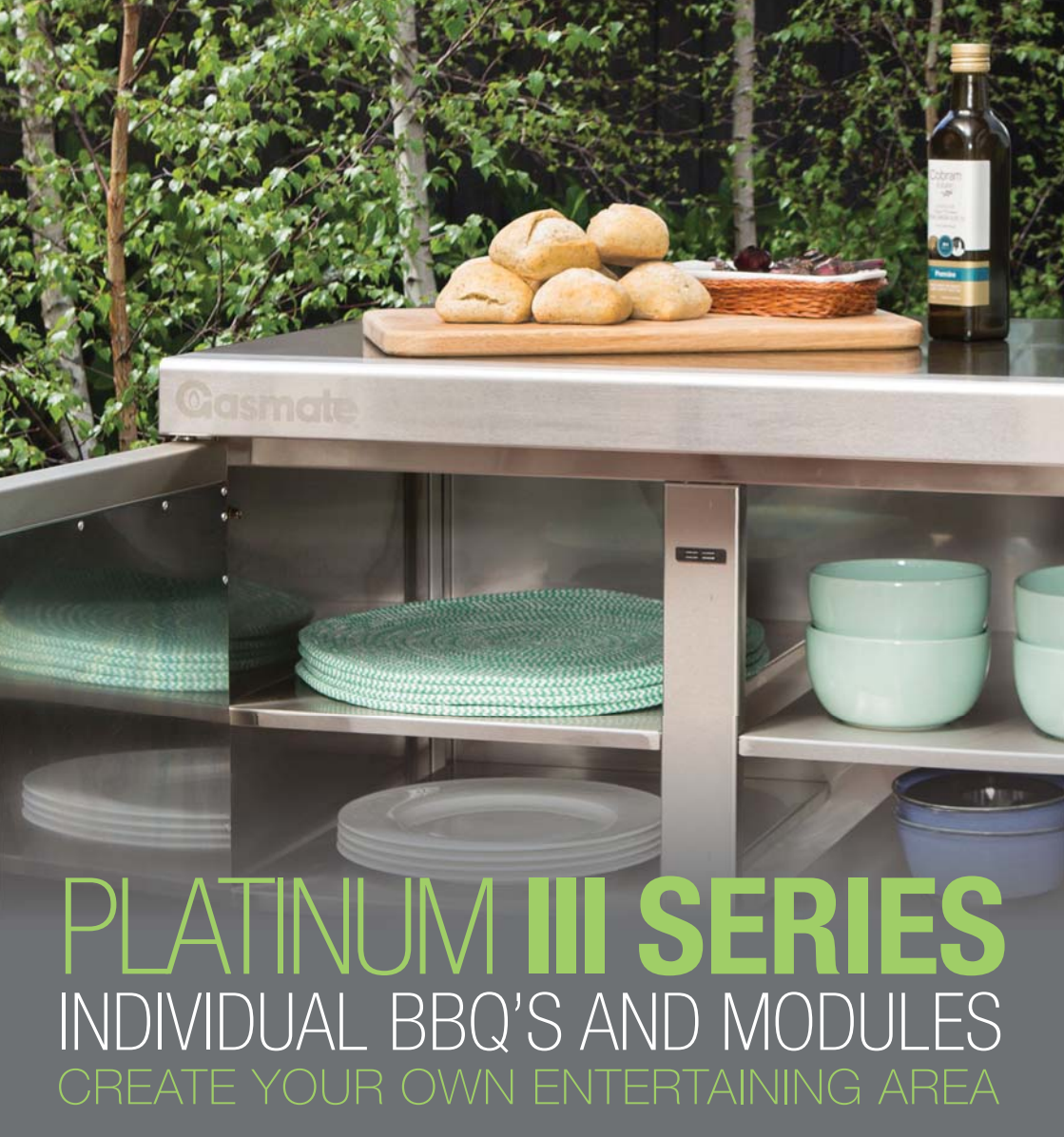
 FLEXIBLE LAYOUT COMBINATIONS



- COMPLETE OUTDOOR KITCHEN WITH POWERFUL 6 BURNER BBQ WITH SIDE BURNER, SINK AND STORAGE MODULES WITH BLACK GRANITE BENCH TOPS
- BBQ FEATURES FULL SIZE COOKING SURFACE (960mm X 480mm), HOOD WITH VIEWING WINDOW, INTERNAL LIGHTS AND ON CONTROL KNOBS, ELECTRONIC IGNITION, SIDE BURNER AND REAR CERAMIC BURNER
- STORAGE MODULE PROVIDES AMPLE BENCH SPACE AND INSIDE THE CABINET THERE ARE 3 SHELVES AND PLENTY OF ROOM TO KEEP THINGS ORGANISED
- SINK MODULE HAS WELS RATED HOT AND COLD MIXER TAP THAT CAN BE PLUMBED IN. THE GENEROUS SIZED SINK CAN BE MOUNTED ON EITHER THE LEFT OR RIGHT SIDE OF THE MODULE
- ABILITY TO ADD 1 & 2 DOOR FRIDGE AND MATCHING GRANITE TOP (SOLD SEPARATELY)
- MATCHING RANGEHOOD AVAILABLE (SOLD SEPARATELY)
- DIMENSIONS: 3130mm (W) X 680mm (D) X 1200mm (H)
- AGA CERTIFIED AND SUITABLE FOR NATURAL GAS CONVERSION



Delivery options for kitchen includes a home delivery service to selected areas only. Terms and conditions apply. See team members for further details



PLATINUM III SERIES

INDIVIDUAL BBQ'S AND MODULES

CREATE YOUR OWN ENTERTAINING AREA

The Gasmate Platinum III Series allows you to create your own stunning outdoor cooking and entertaining area. Start with the Platinum III 6 Burner BBQ and add the Platinum III Series Modules that you need. The BBQ and modules can be arranged in any combination, tailor them to suit your own area or budget. You can even add more modules later.













Or buy the Gasmate Platinum III Built-In BBQ to build into your own cabinetry.

There is a stainless steel professional rangehood and bar fridges to choose from, to really finish off your outdoor kitchen.

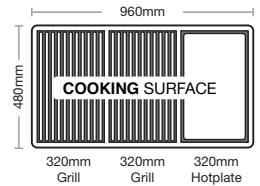
The possibilities are endless!

PLATINUM III BBQ

I/N 3171290
MODEL NO.
BQ1080

 #304 GRADE STAINLESS STEEL BBQ SUPPLIED FULLY ASSEMBLED	 STAINLESS STEEL FLAME TAMERS FOR EVEN HEAT DISTRIBUTION
 #304 GRADE STAINLESS STEEL HOOD WITH GLASS VIEWING WINDOW	 CERAMIC REAR BURNER FOR HEALTHY ROTISSERIE COOKING
 TEMPERATURE GAUGE AND COOL TOUCH HANDLE	 COMPLETE WITH STAINLESS STEEL WARMING RACK
 TWO CONVENIENT INTERNAL LIGHTS AND BLUE LED'S ON CONTROL KNOBS	 CONVENIENT SLIDE-OUT CYLINDER STORAGE
 ELECTRONIC IGNITION FOR EFFORTLESS LIGHTING	 LOCKING CASTORS
 STAINLESS STEEL BURNERS WITH INDIVIDUAL CONTROLS	 AGA CERTIFIED AND APPROVED FOR NATURAL GAS CONVERSION

- With integrated high output side burner
- Supplied with hose and regulator
- Powerful combined output of 96MJ/h (6 x 11.6MJ/h burners + 15MJ/h side burner + 11.5MJ/h rear burner)
- **1470mm W x 680mm D x 1200mm H**

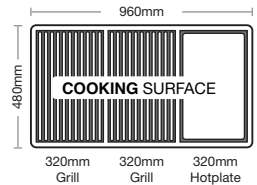


PLATINUM III BUILT-IN BBQ

I/N 3171291
MODEL NO.
BQ1080B

- #304 GRADE STAINLESS STEEL BBQ SUPPLIED FULLY ASSEMBLED
- #304 GRADE STAINLESS STEEL HOOD WITH GLASS VIEWING WINDOW
- TEMPERATURE GAUGE AND COOL TOUCH HANDLE
- CONVENIENT INTERNAL LIGHTS AND BLUE LED ON CONTROL KNOBS
- ELECTRONIC IGNITION FOR EFFORTLESS LIGHTING
- SATIN ENAMEL CAST IRON REVERSIBLE PLATE AND STAINLESS STEEL GRILL
- STAINLESS STEEL BURNERS WITH INDIVIDUAL CONTROLS
- STAINLESS STEEL FLAME TAMERS FOR CONTROLLED HEAT DISTRIBUTION
- CERAMIC REAR BURNER FOR HEALTHY ROTISSERIE COOKING
- COMPLETE WITH STAINLESS STEEL WARMING RACK
- AGA CERTIFIED AND APPROVED FOR NATURAL GAS CONVERSION
- INCLUDES HANGING BRACKETS OR ADJUSTABLE FEET FOR MOUNTING PREFERENCE

- With integrated high output side burner
- Supplied with hose and regulator
- Powerful combined output of 96MJ/h (6 x 11.6MJ/h burners + 15MJ/h side burner + 11.5MJ/h rear burner)
- 1470mm W x 680mm D x 530mm H



**PLATINUM III
STORAGE MODULE**

**I/N 3171293
MODEL NO.
BQ1082**



STYLISH INTEGRATED HANDLES

INCLUDES 3 STORAGE SHELVES

LOCKING CASTORS

BLACK GRANITE TOP

Premium #304 grade stainless steel cabinet

- Supplied fully assembled
- 830mm W x 680mm D x 905mm H



BLACK GRANITE TOP



**PLATINUM III SINK, BIN
AND STORAGE MODULE**

**I/N 3171292
MODEL NO.
BQ1081**

STYLISH INTEGRATED HANDLES

OUTDOOR SINK WITH MODERN FLICK TAP

LOCKING CASTORS AND STRAINING PLUG

BLACK GRANITE TOP

RUBBISH BIN



Premium #304 grade stainless steel cabinet

- 1 Interchangeable sink – top can be moved from left to right depending on your kitchen layout
- WELS Approved Hot and Cold Tap
- Supplied fully assembled
- 830mm W x 680mm D x 905mm H

FRIDGE TOPS



 PLATINUM III
2 DOOR BAR FRIDGE TOP

I/N 3171308
MODEL NO.
BQ1046

- 903mm W x 680mm D

 PLATINUM III
1 DOOR BAR FRIDGE TOP

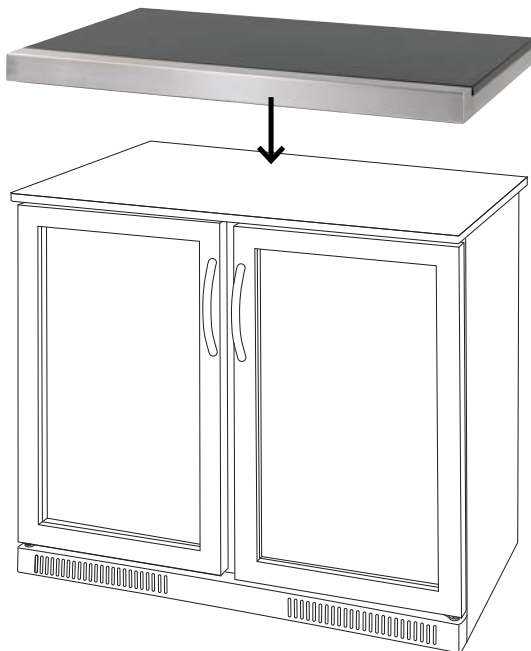
I/N 3171307
MODEL NO.
BQ1045

- 503mm W x 680mm D

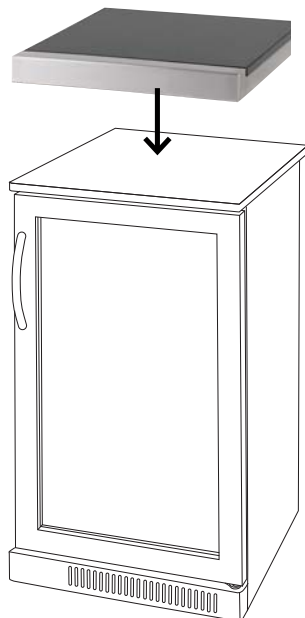
The fridge tops have a stainless steel fascia with black granite top so that the fridge intergrates perfectly into your Platinum III Outdoor Kitchen. The fridge top is also supplied with adjustable feet for your fridge to bring the height up to match your Platinum III Outdoor Kitchen.

COMPLETES THE LOOK OF YOUR PLATINUM III OUTDOOR KITCHEN

FRIDGE TOP MODEL NO. **BQ1046** - I/N 3171308



FRIDGE TOP MODEL NO. **BQ1045** - I/N 3171307



SUITS **2 DOOR FRIDGE** I/N 3171042

SUITS **1 DOOR FRIDGE** I/N 3171041



EASY SETUP



RANGEHOOD



HIGH POWERED FANS



**STAINLESS STEEL
BAFFLE FILTERS**



LED LIGHTS

 **WALL MOUNTED 120CM
RANGEHOOD**

**I/N 3171294
MODEL NO.
GRHM**

 **2000m³/hr EXTRACTION
CAPACITY**

 **MARINE GRADE #316
STAINLESS STEEL**

 **STAINLESS STEEL BAFFLE
FILTERS DISH-WASHER PROOF**

 **INDIVIDUAL 3 SPEED PUSH
BUTTON FAN CONTROLS**

 **4 X LED LIGHTS, 12V – 1.8W**

 **2 X 1000 WATT MOTORS**

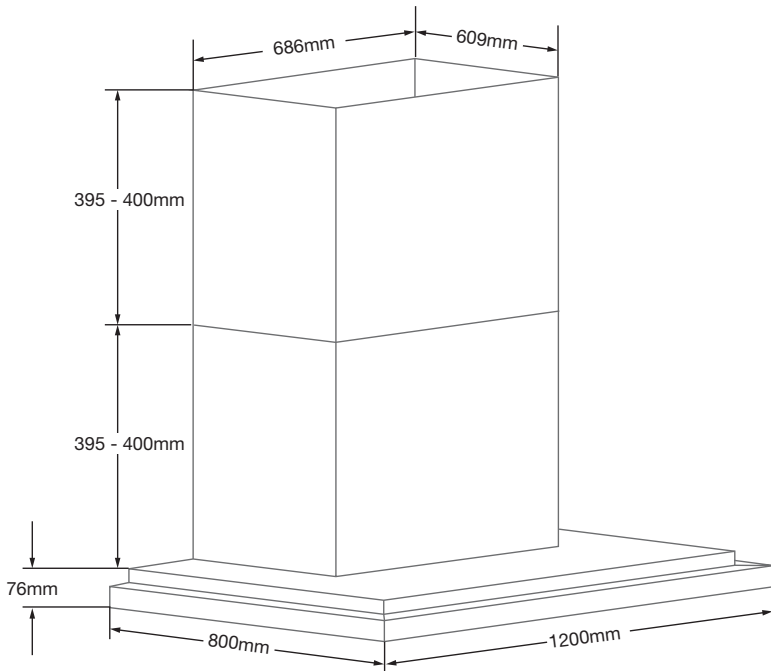


**WALL
MOUNT**

- 150mm diameter flexible ducting x 2
- Minimum 1200mm from BBQ cooking surface to Rangehood
- Noise level \leq 80 dba
- Weight: 40Kg
- **1200mm W x 800mm D**

CONTENTS AND DIMENSIONS

- 1 x Rangehood with 2 x 150mm duct adaptors fitted
- 2 x Chimney covers each 400mm high
- 1 x Chimney mounting bracket top
- 2 x Expanding ducts 150mm x 2m



Finish	Marine grade stainless steel #316
Total Height	515mm - Not including flue covers
Height Above Cooking Surface	1200mm - Minimum 1250mm - Maximum
Noise	≤ 90db
Duct Diameter	150mm
Flue Surround	2 at 400mm high
Filters	Stainless steel #304 baffle style

RANGEHOOD INSTALLATION

Please consider the following before commencing to install your rangehood.

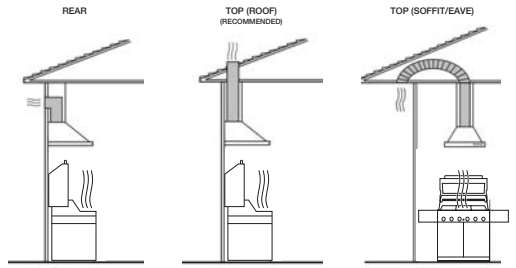
Your rangehood will need to be ducted to ensure it operates and complies with local and national regulations.

DUCT MOUNTING OPTIONS

You will need some additional parts to complete these installations.

All motors need to be ducted individually and the included expanding duct is 150mm diameter.

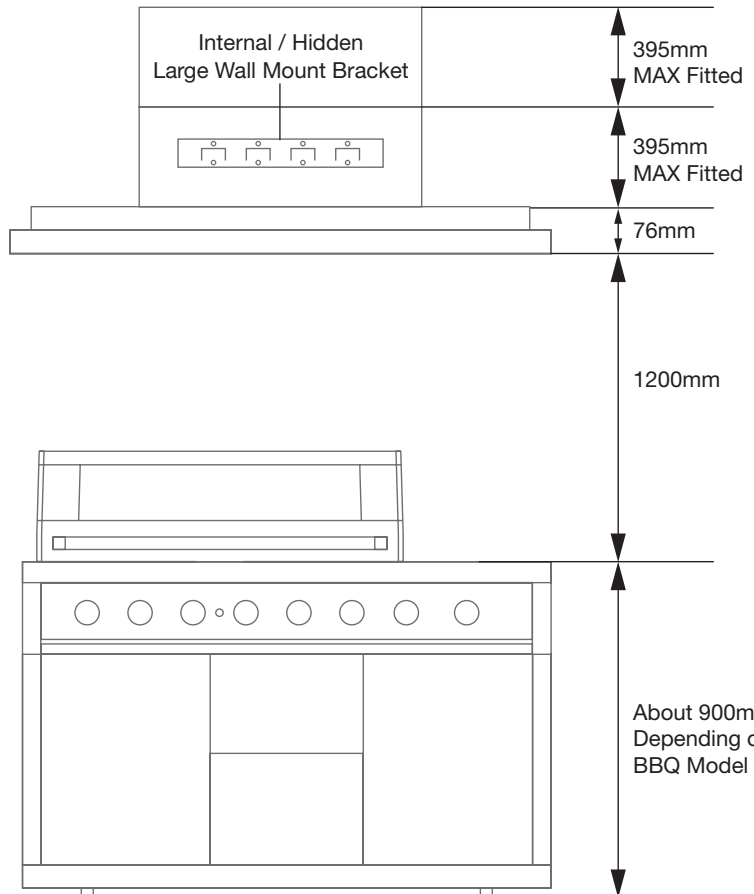
*If installing ducting at the Rear or via the Soffit/Eave please review instruction for the reductions in ducting requirements.



The ideal position of the Rangehood is as follows:

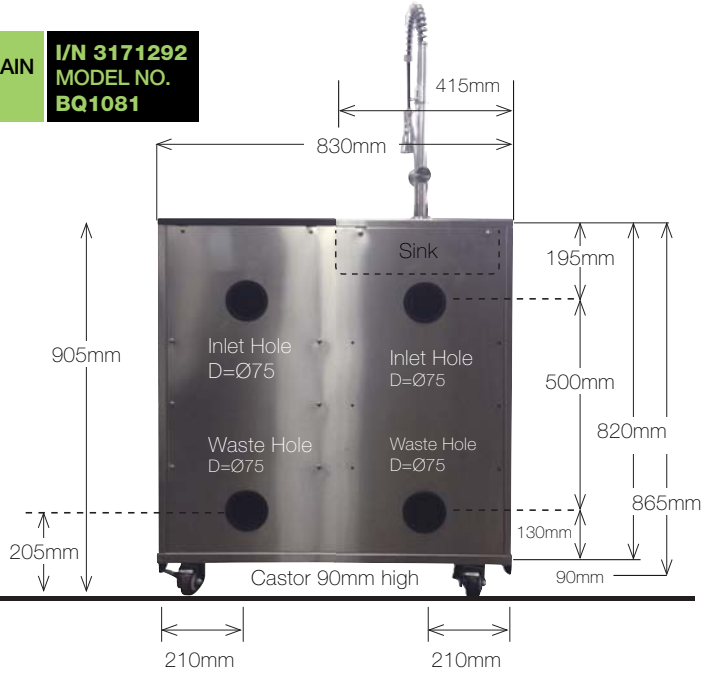
1. Height above cooking surface – 1200mm
2. Distance from cooking surface to rangehood mounting bracket bottom screw hole:

Bracket is part of the rangehood frame - 1582mm

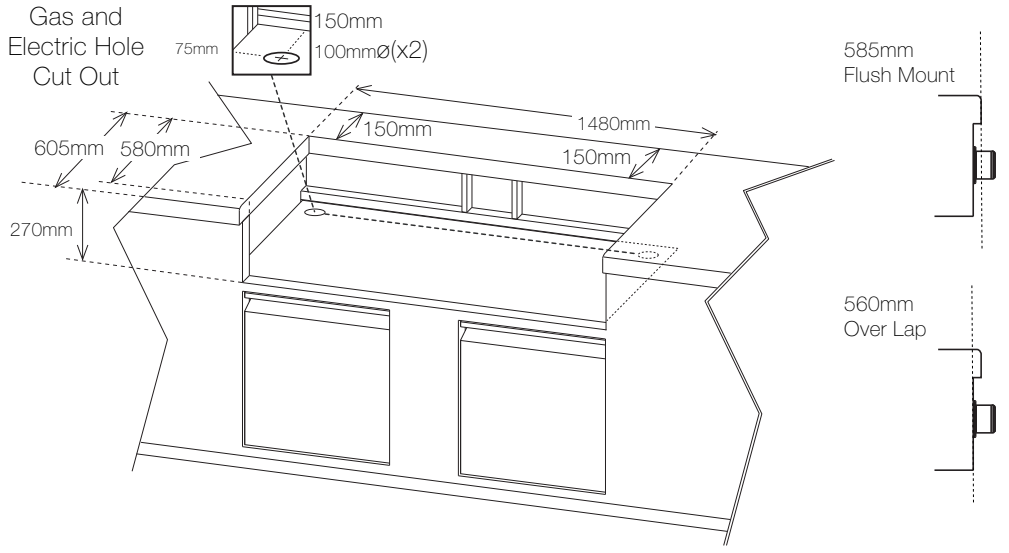


TECHNICAL DIMENSIONS FOR PLUMBING AND CABINETRY

PLATINUM III SINK DRAIN AND TAP CONNECTION
I/N 3171292 MODEL NO. BQ1081



PLATINUM III BUILT IN BBQ
I/N 3171291 MODEL NO. BQ1080B

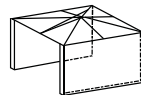




OUTDOOR USE ONLY

The following situations are considered to provide the natural ventilation required for an outdoor domestic barbecue to be used:

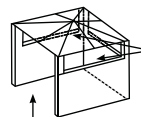
- Four open sides with a roof or overhead cover.
- Four enclosed sides (walls) without a roof or overhead cover.
- Two parallel walls or two walls at right angles to each other with a roof or overhead cover.
- Three walls, with the one open side being at least 25% of the total perimeter and the remaining three walls having an area of 30 per cent or more of unrestricted opening, with a roof or overhead cover.



Parallel Walls



Right Angle Walls



Open side at least 25% of total wall area

30% or more in total of the remaining wall area is open and unrestricted

ORDER FORM

	Model No.	Fineline	Order Qty.
Platinum III Kitchen	BQ1080KIT	3171289	
<i>Any of the following can also be delivered to your home with your kitchen. For all other products, local delivery charges may apply.</i>			
Platinum III BBQ	BQ1080	3171290	
Platinum III Built In BBQ	BQ1080B	3171291	
Platinum III Sink Module	BQ1081	3171292	
Platinum III Storage Module	BQ1082	3171293	
Rangehood	GRHM	3171294	
Matador 118L Fridge	MF118FVI	3171041	
Matador 228L Fridge	MF228FVI	3171042	
Top to suit Matador 118L Fridge	BQ1045	3171307	
Top to suit Matador 228L Fridge	BQ1046	3171308	
Delivery for 1 to 3 additional items \$22.00	BF13	9920191	
Delivery for 4 to 6 additional items \$44.00	BF46	9920193	
Delivery for 7 to 9 additional items \$66.00	BF79	9920194	

Home Delivery Order Form

Selected areas only, please confirm DELIVERY post code with team member. Platinum III Kitchen must be part of an order to qualify for home delivery

Name	
Phone Number	
Email Address	
Delivery Address	

Take This Order Form to the Special Orders Desk to place an order



45 03411-4

F/L 9931120

Due to continual product development, the product you purchase may differ slightly from the ones shown here. Gasmate® is a registered trademark of Sitro Group Australia Pty. Ltd. www.gasmate.com.au

03457 07/16

Available at
BUNNINGS
warehouse

Find us on
Facebook 

www.facebook.com/GasmateAustralia