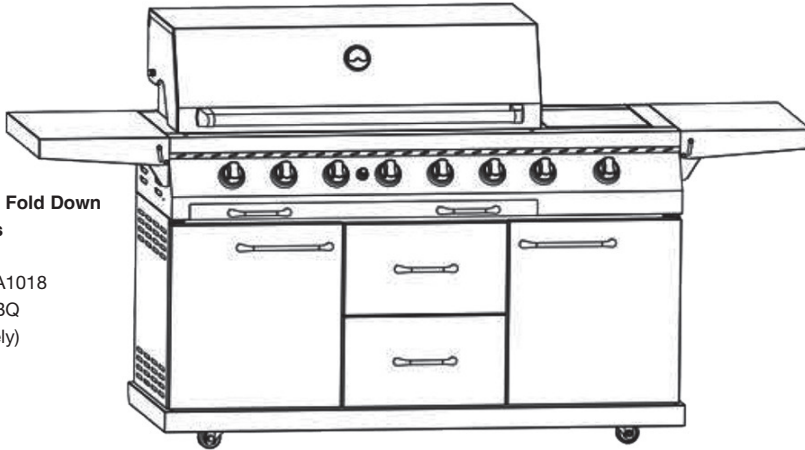


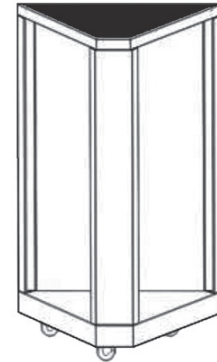


# PROFESSIONAL MODULAR SERIES

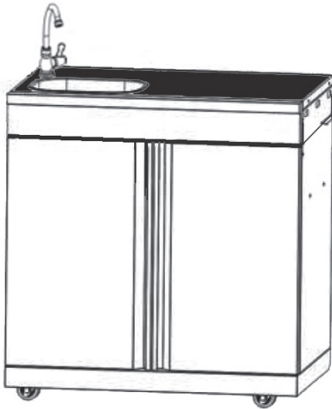
**Professional Fold Down Side Shelves (pack of 2)**  
Model No. BA1018  
(shown on BBQ sold separately)



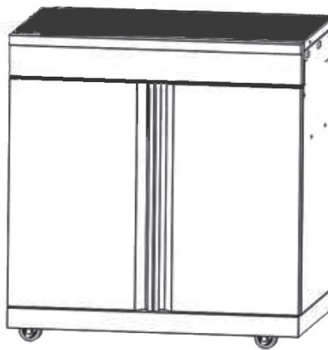
**Professional 6 Burner Premium BBQ**  
Model No. BQ1011P



**Professional 45° Corner Module**  
Model No. BQ1012P



**Professional Sink & Fridge Module**  
Model No. BQ1013GFP



**Professional Bench Module**  
Model No. BQ1014P



**Professional Drawer Module**  
Model No. BQ1021P

## Reference Models ONLY

Please refer to the diagrams for completed assembly of modules

## TOOLS REQUIRED

Standard Phillips-head screw driver.



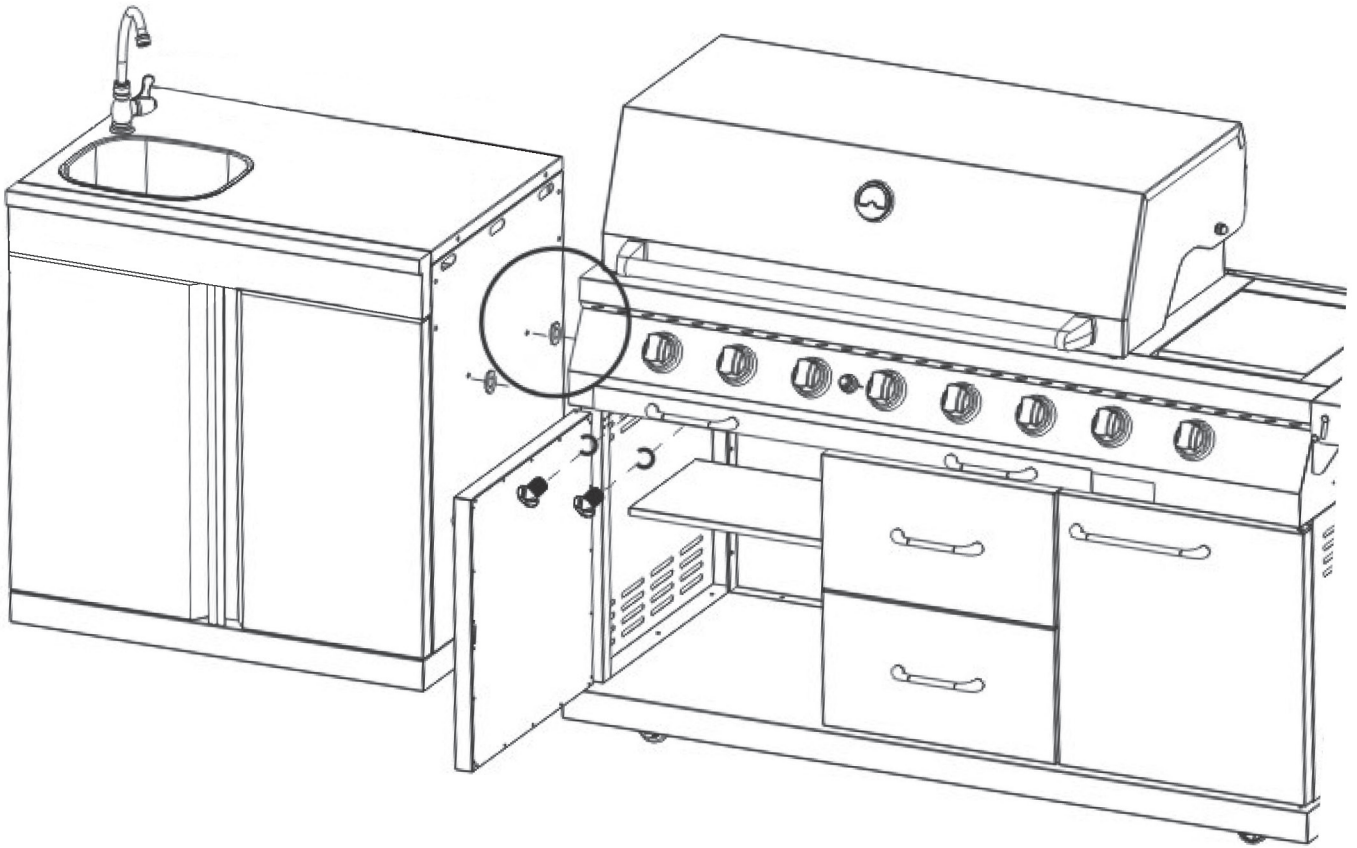
**IMPORTANT:** Remove all packing and transit protection before assembly.

**CAUTION:** Ensure no packing material is left in BBQ before lighting.

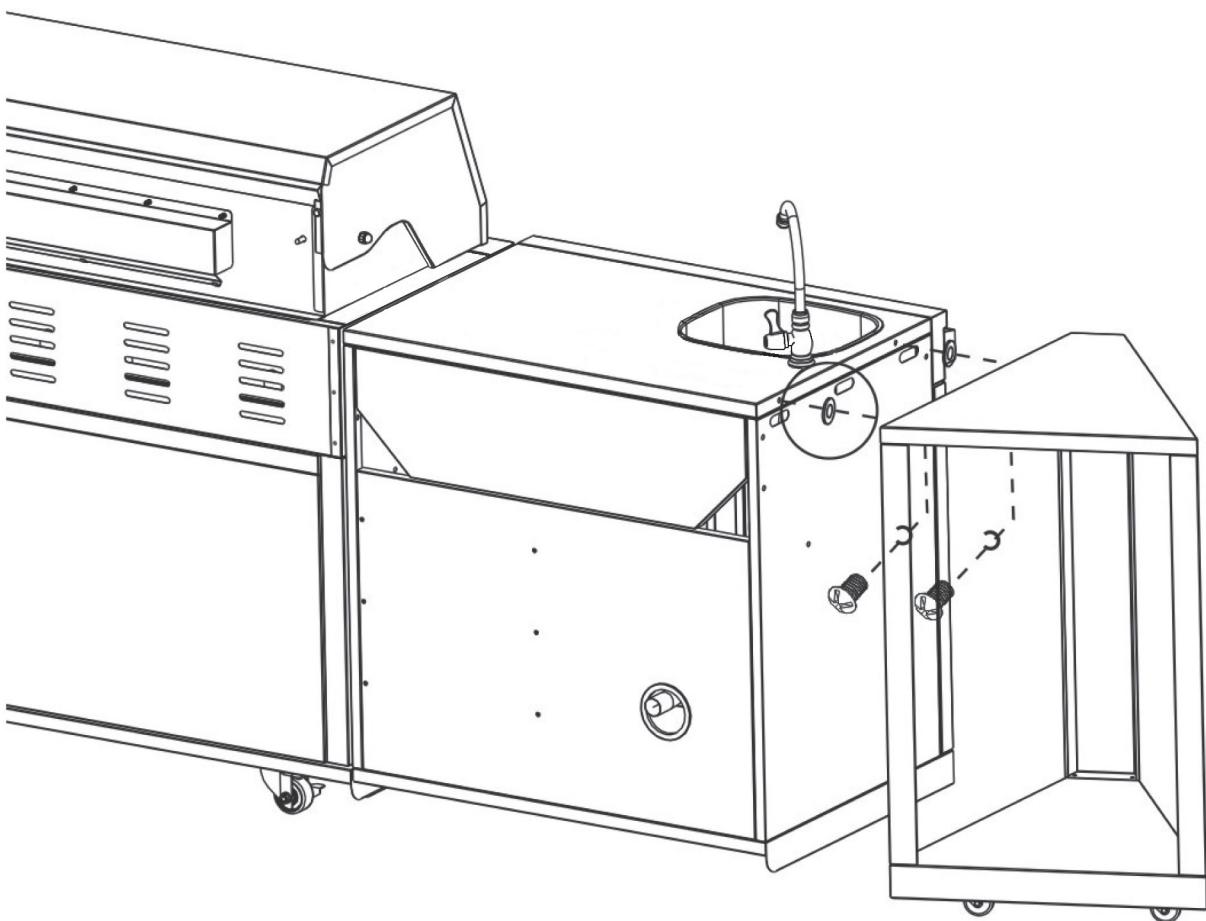
Gasmate® is a registered trademark of: Sitro Group Australia Pty Ltd [www.gasmate.com.au](http://www.gasmate.com.au)  
Aber Holdings Ltd - N.Z [www.gasmate.co.nz](http://www.gasmate.co.nz)

**Important:** Retain these instructions for future use.

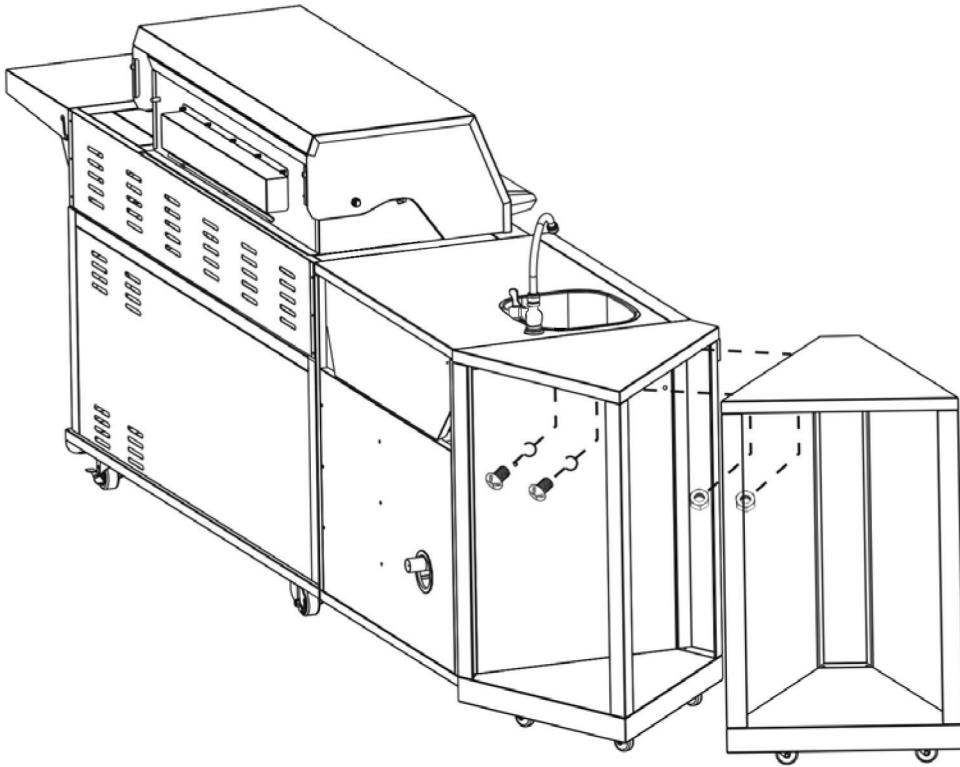
Use 2 screws, 2 rubber washers and 2 washers as shown. There is no need for nuts as the cabinets have captive nuts inside the panels.



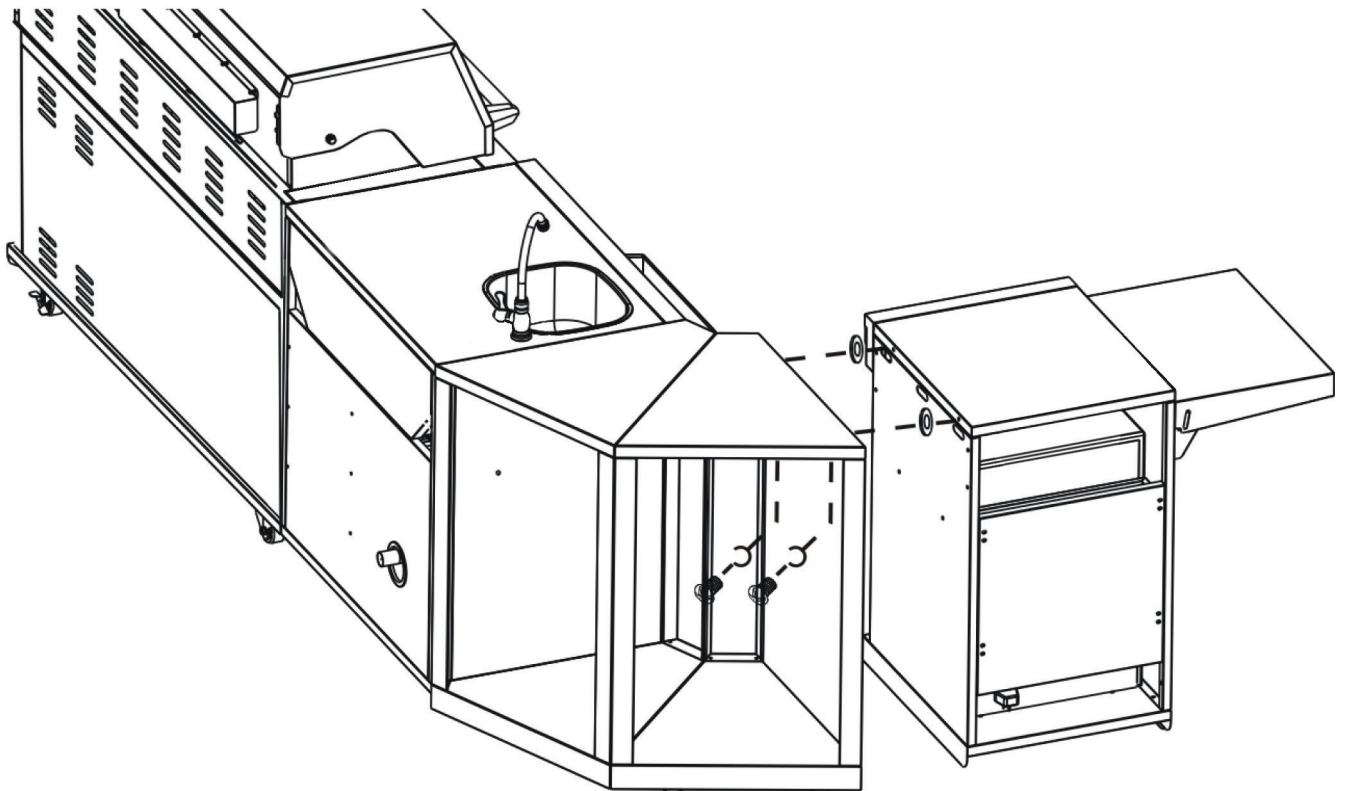
Use 2 screws, 2 rubber washers and 2 washers as shown to connect a 45 degrees corner section.



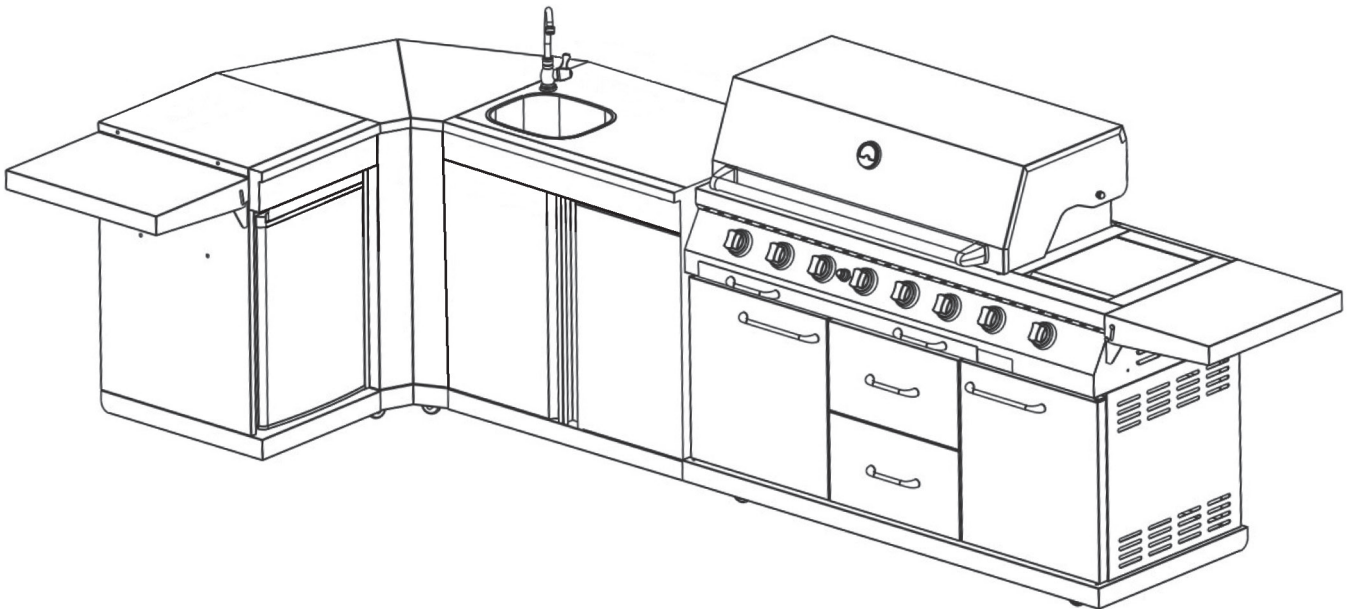
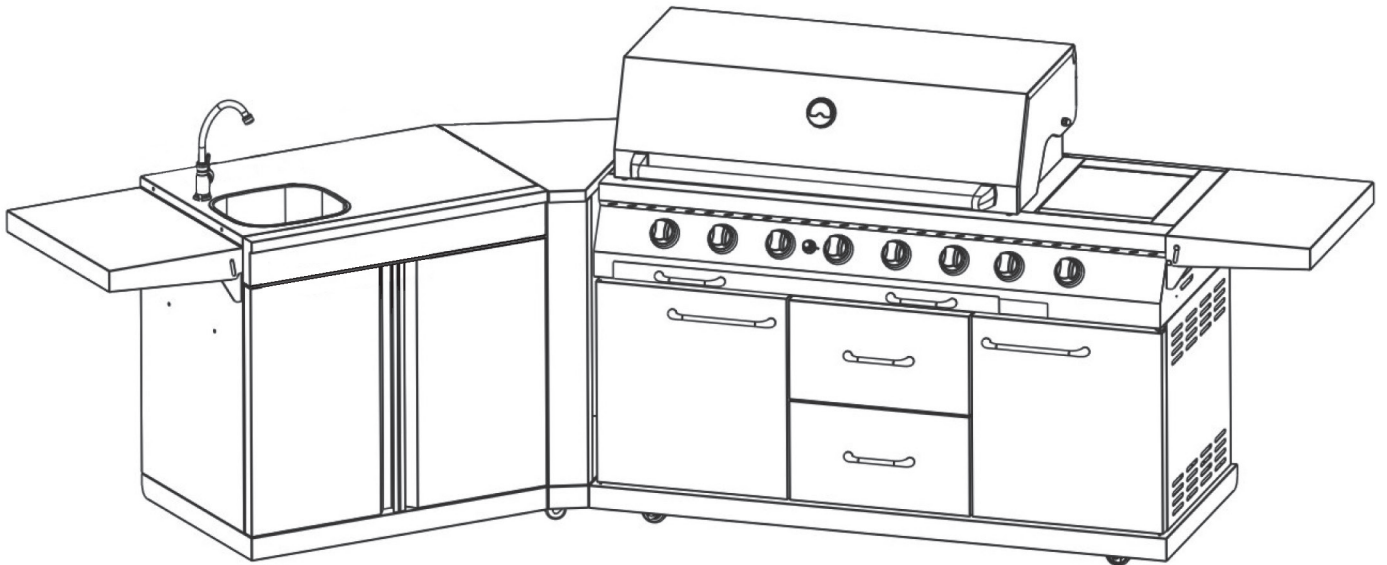
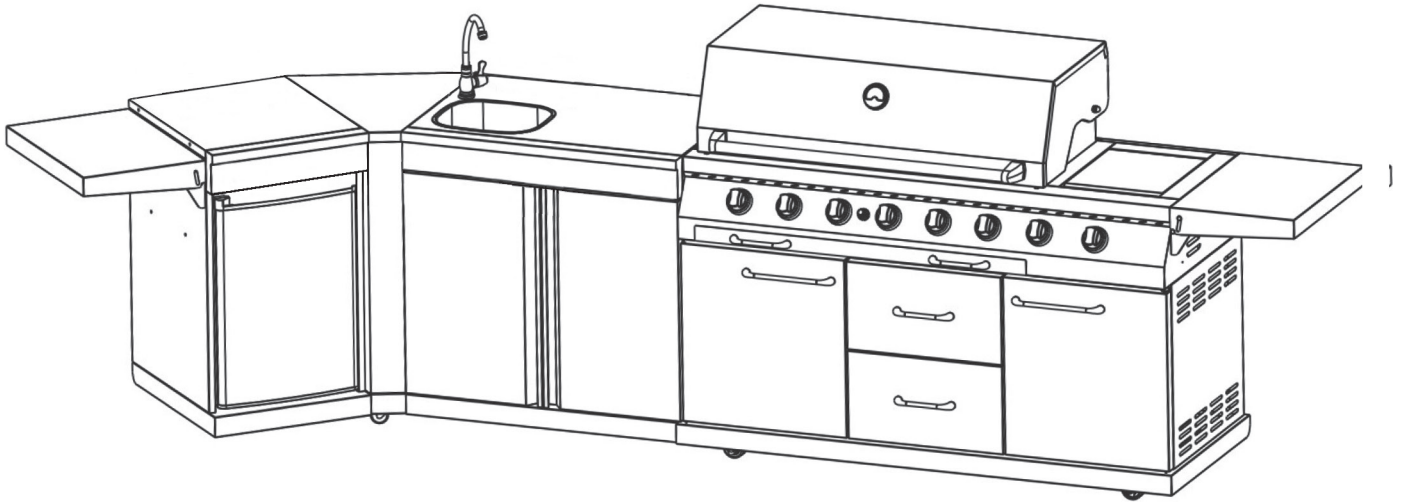
Demonstrating how to connect another 45 degrees corner section.



Use 2 screws, 2 rubber washers and 2 washers as shown to connect the final module.

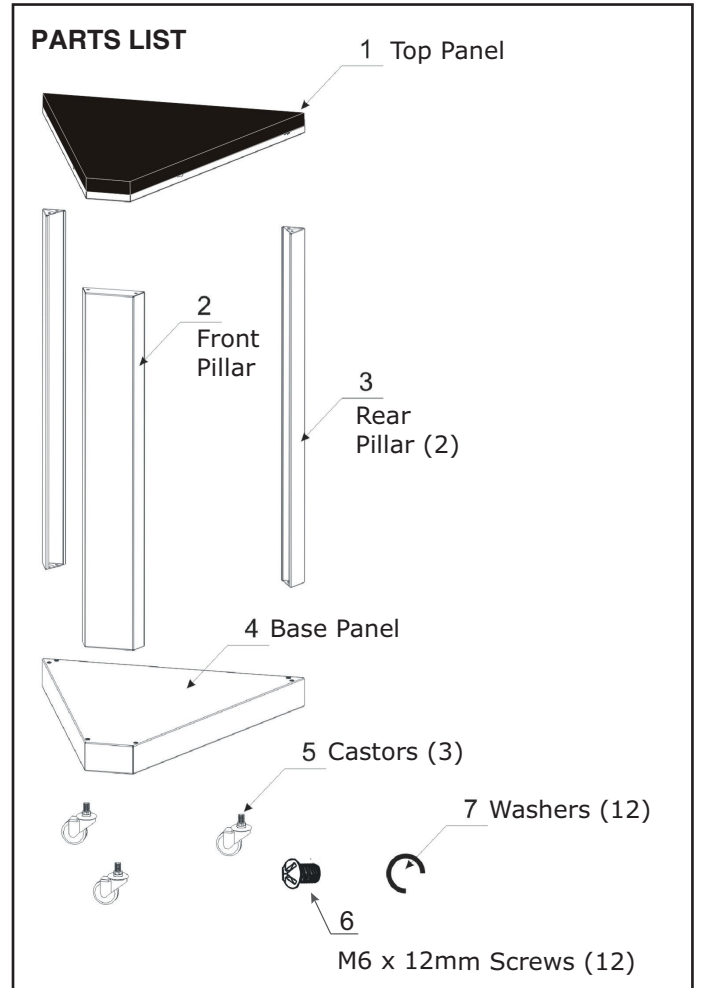
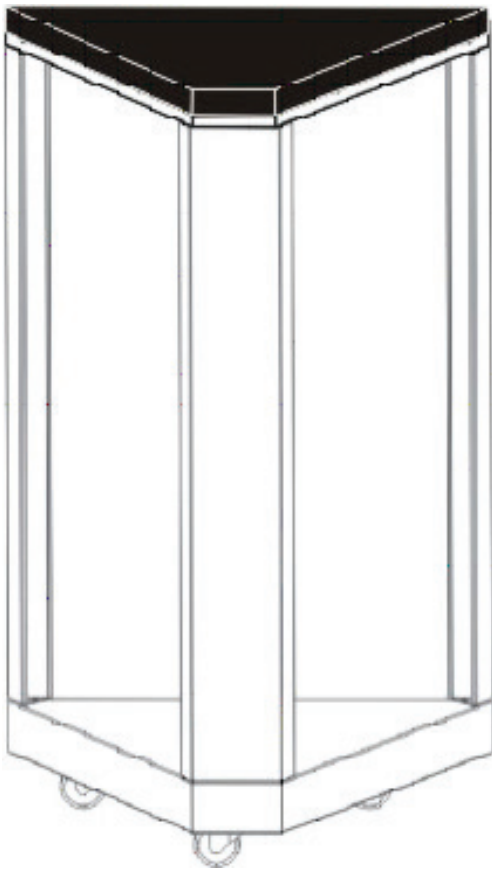


Finished Outdoor Kitchen Gas Grill (For Reference Only)



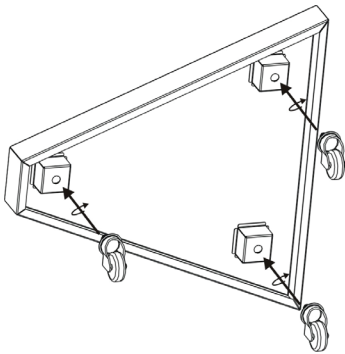
Models purchased may differ from those shown.

# ASSEMBLY INSTRUCTIONS - 45° Corner Module. Model No. BQ1012P Corner



## ASSEMBLY

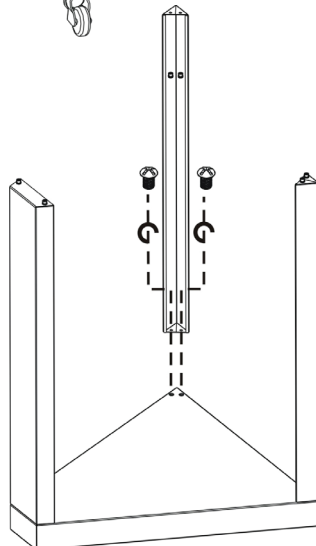
1. Attach the 3 castors to the base panel.



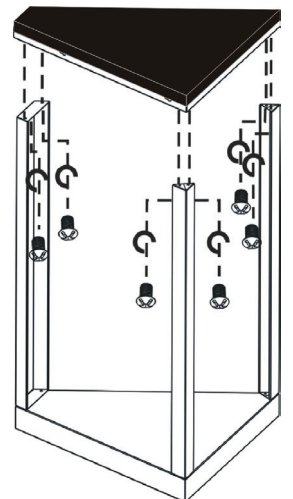
2. Attach the front pillar to the base using 2 screws.



3. Attach the other two pillars to the base panel using 4 screws.

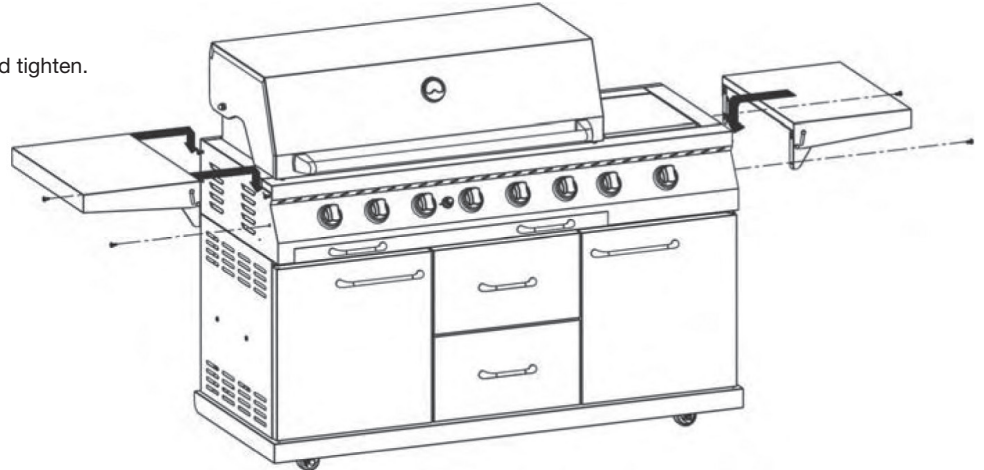


4. Attach the top panel using 6 screws and washers.

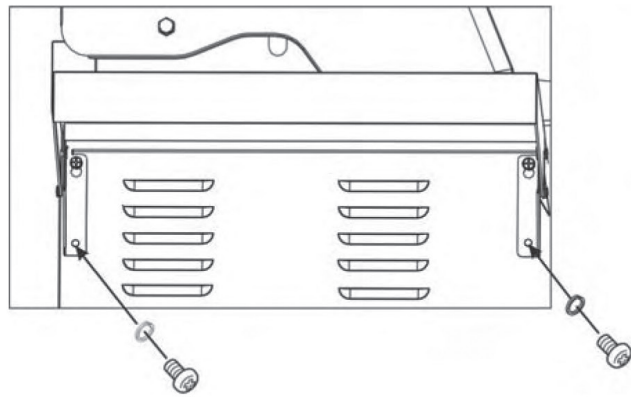


# ASSEMBLY INSTRUCTIONS - Side Shelves. Model No. BA1018P

1. Pre-assemble the top two screws, leaving them loose.
2. Hang the side shelf onto these 2 screws.
3. Insert two screws into the lower holes and tighten.



Four (4) M6X15 Screws  
and washers



Side shelves can be folded down by first lifting up and then rotating down as shown.

